



Slimline Heatpac
Multidirectional Flue



Environment



Innovation



Technology

Addendum to the Envirogreen Boiler Manual

Installation Instructions for the

Multidirectional Flue System

for Envirogreen Slimline Heatpac Models 20-35kW
(manufactured after 17 March 2022)

This manual must remain with the householder once installation is complete



17/03/2022

Addendum to the Envirogreen Boiler Manual

Installation Instructions for the Multidirectional Flue System for Envirogreen Slimline Heatpac Models Only (20-35kW)

(manufactured after 17 March 2022)

This flue system for the Envirogreen Slimline Heatpac boiler has several changes that differ from the instructions in the Technical Manual supplied with the boiler.

These changes are part of our continued product improvement process.

Please read this Addendum and use the information in conjunction with the corresponding sections of the Technical Manual.

Following commissioning, please leave both the Technical Manual and this Addendum with the end user for future reference.

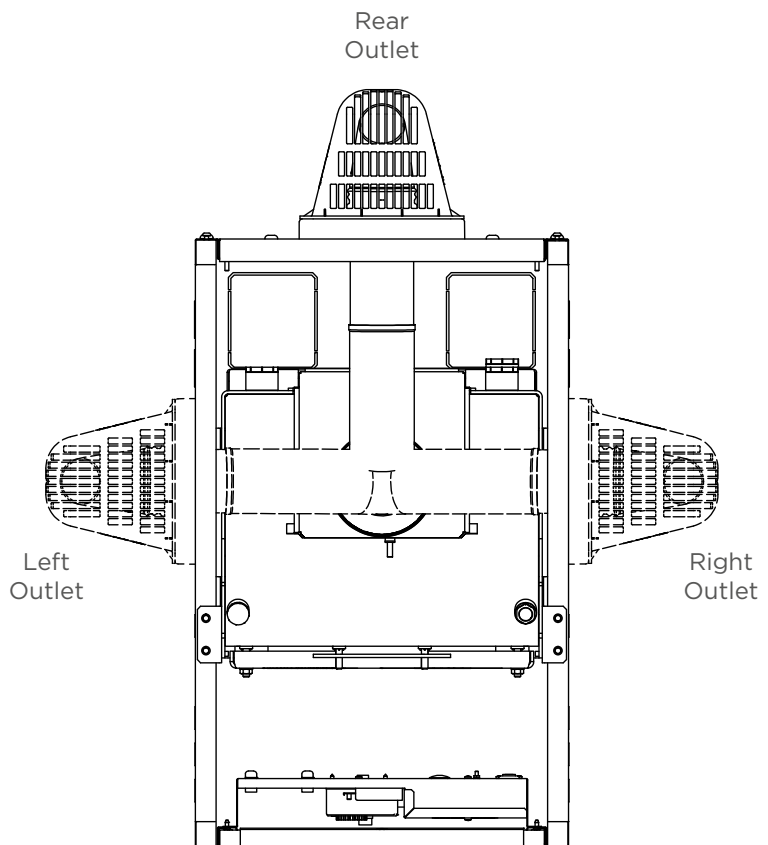
Carefully read this Addendum to enable safe installation, use and servicing. No liability can be accepted in the event of damage for not complying with the guidance in this Addendum.

FLEXIBLE DESIGN

The new multidirectional flue system has been designed for ease of installation in a wide range of situations. The flue kit can be easily fitted onto the boiler. The terminal guard allows safe discharge of flue gases. The multidirectional flue is compatible with Firebird's plume dispersal kits.

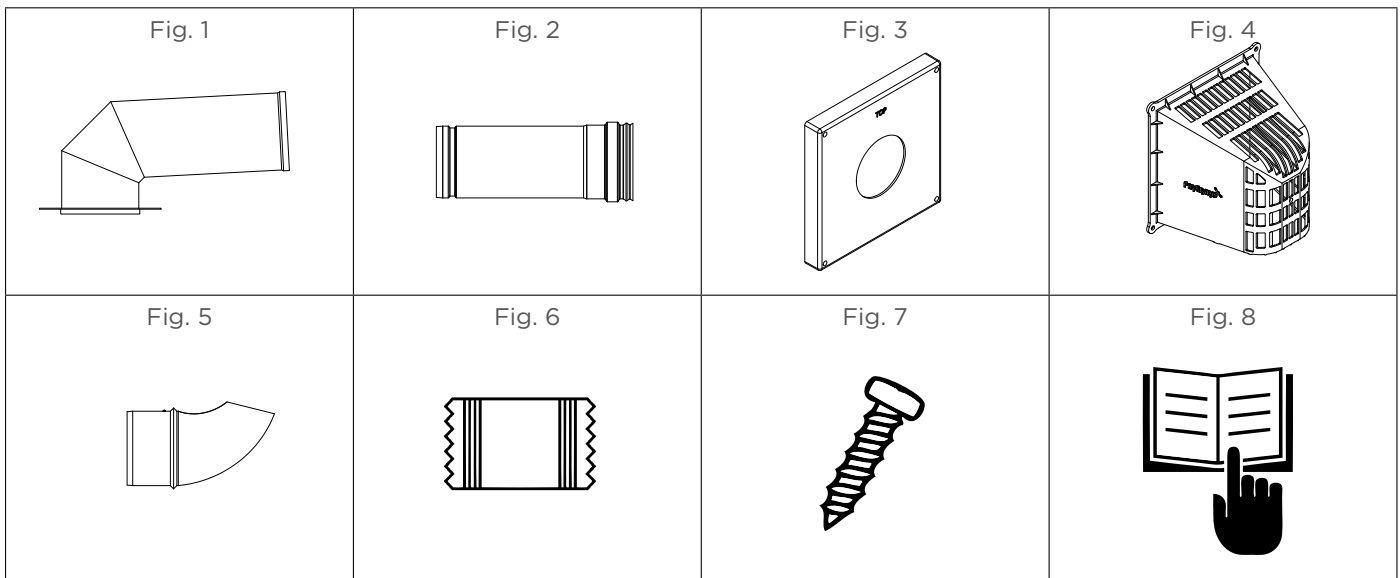
The flue can be positioned in 3 directions.

1. Rear outlet
2. Right outlet
3. Left outlet



KIT CONTENTS

Fig	Part Number	Description	Qty:
1	115392	Stainless Steel Starter Bend	1
2	115393	Stainless Steel Length	1
3	114593	Flue Deflector	1
4	114594	Terminal Guard	1
5	114595	Terminal Cone	1
6	112359	Silicone Grease Sachet	1
7	116024	No. 10x40 Screws	4
8	V1 MDF SP	Instruction Manual	1



HEALTH AND SAFETY

The appliance contains no asbestos and no substances have been used in the construction process that contravene the COSHH Regulations (Control of Substances Hazardous to Health Regulations 1988).

CORROSIVE MATERIALS

Chemically aggressive substances can corrode the appliance and invalidate any warranty.

FITTING AND MODIFICATIONS

The flue system may only be installed by a competent, qualified engineer in accordance with local regulations. Flue system must not be modified in any way other than as described in the fitting instructions. Any misuse or unauthorised modifications to the appliance, flue or associated components and systems could invalidate the warranty.

SERVICING

The flue system should be inspected annually by a competent, qualified engineer. Approved spares must be used to help maintain the economy, safety and reliability of the appliance.

ASSEMBLY INSTRUCTIONS

The following procedure applies to fitting the **Multidirectional Flue System** on **Envirogreen Slimline Heatpac models only (20-35kW)**



Remove the flue kit from the front of the boiler.



Remove the top panel to access to flue spigot on top of boiler.



1. Remove the flue seal to allow access to the flue securing screws.
2. Remove the 2 stainless steel screws.



Reinsert the flue gasket ensuring that the holes in the gasket line up with securing holes on the spigot.



1. Insert stainless steel starter bend to the chosen position.
2. Secure the flue with the 2 stainless screws supplied. Remove insulation cut-out from chosen outlet position.



Remove insulation cut-out from chosen outlet position. Please dispose of the insulation cut-out.



Remove chosen blanking panel for flue outlet. Disregard blanking panel and screws.

ASSEMBLY INSTRUCTIONS



Ensure slotted air intake holes are clear.



Apply silicon grease to the brown teflon seal on the extension flue pipe.



Insert the extension flue pipe through the deflector plate.



Insert extension flue piece through the external hole.



Push the extension flue pipe into the flue starter bend.



The deflector plate should be positioned with marking (TOP) to ensure it's positioned correctly.

ASSEMBLY INSTRUCTIONS



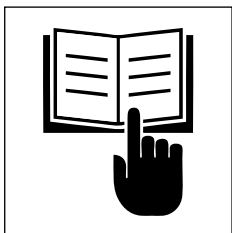
Apply silicone grease to the cone and insert into the extension flue piece.



The cone should be positioned vertically.



Instal flue terminal with the 4 screws supplied.

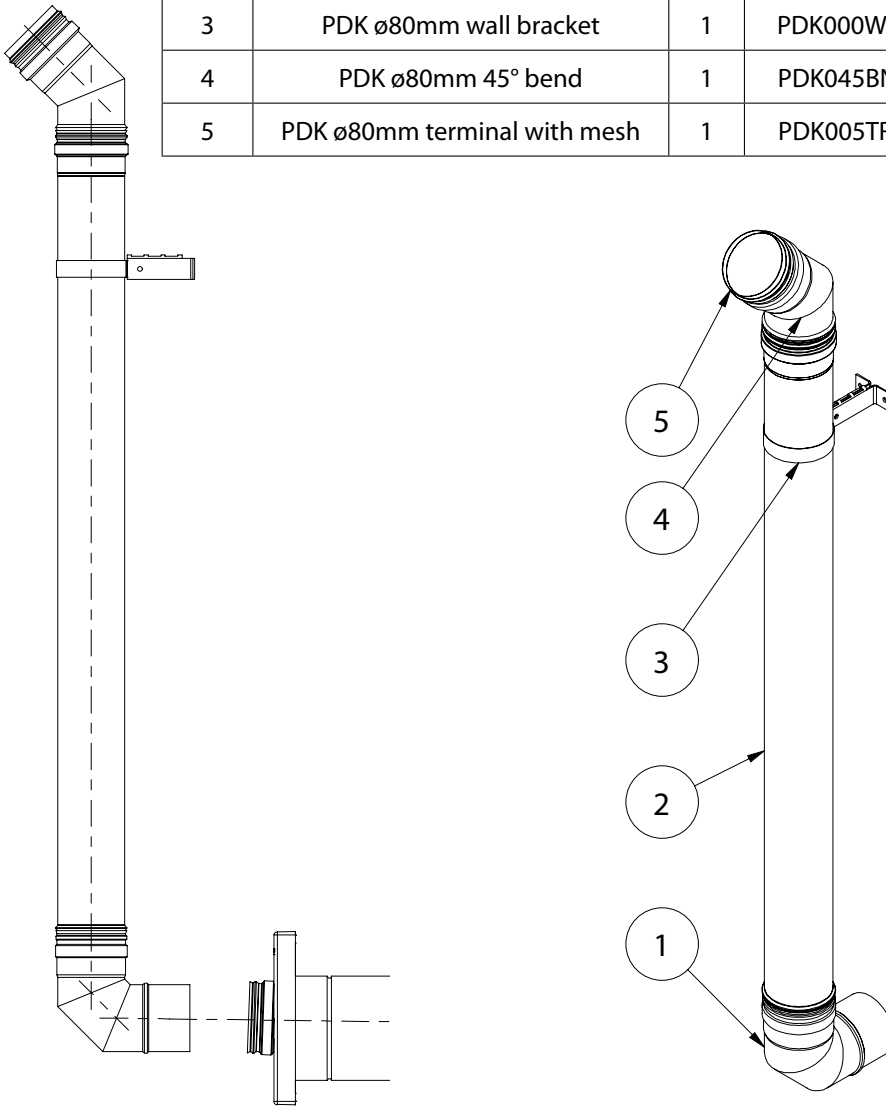


Insert addendum into Technical Manual pack.

PLUME DISPERSAL KIT

A plume dispersal kit can easily be installed onto the multidirectional flue system.

Plume Dispersal Starter Kit ø80 - PDK005SET				
Item	Part Name	Qty	Sales code	Part no.
1	PDK ø80mm 90° bend	1	PDK090BND	411256
2	PDK ø80mm 1000mm length	1	PDK1000KT	411251
3	PDK ø80mm wall bracket	1	PDK000WBK	411259
4	PDK ø80mm 45° bend	1	PDK045BND	411255
5	PDK ø80mm terminal with mesh	1	PDK005TRM	411257



Additional plume pipe fixings and lengths can be added to the kit (refer to installation manual for more information).

Note: Remove the terminal guard and cone before installing the Plume Kit.

TECHNICAL ASSISTANCE

For technical assistance please contact our service department.

These instructions have been carefully prepared but we reserve the right to alter the specification at any time in the interest of product improvement.



**For further information
on Firebird products please
contact:**

Ireland

Firebird
Údáras Industrial Estate
Baile Mhic Íre
Co. Cork
P12 HK51
Ireland

t: +353 (0)26 45253

f: +353 (0)26 45309

e: sales@firebird.ie

www. firebird.ie

Northern Ireland

Firebird
Shean
Forkhill
Newry
BT35 9SY
Northern Ireland

t: +44 (0)28 3088 8330

f: +44 (0)28 3088 9096

e: salesni@firebird.ie

www. firebird.ie

United Kingdom

Firebird
Phoenix House
Eastern Wood Road
Langage Industrial Estate
Plympton
Plymouth
PL7 5ET
United Kingdom

t: +44 (0)1752 691177

f: +44 (0)1752 691131

e: sales@firebird.uk.com

www.firebird.uk.com

Copyright applies to all Firebird products.
Our policy is one of continual development
and we therefore reserve the right to change
without prior notice the specification of
our products at any time and be without
obligation to make similar changes in
products previously produced.

ADOBEB000