

Condensing Flue Kits

Firebird Products Ltd offer a comprehensive range of plastic and stainless steel condensing flue kits to complement the extensive range of oil-fired boilers. A flue is a critical part of boiler installation and a necessary requirement to remove gases created during the combustion process. A correctly installed flue will also ensure the clean and efficient operation of the boiler, resulting in optimum boiler performance and a longer design life. An incorrect installation will result in the boiler warranty becoming invalid.



!
NB: Only Firebird-approved flue kits and accessories may be used on Firebird boilers. Use of unapproved flue kits may invalidate the boiler warranty policy.

Plas-Fit Plastic Flue Kits & Accessories

Suitable for Enviroblue™, Enviromax™ and Envirolite Condensing Boilers

Firebird was the first oil boiler manufacturer to introduce plastic flue kits to the UK market. The Plast-Fit range of plastic balanced flue kits provides flexibility, ease of installation and an aesthetically pleasing high-quality finish. Available in both Low Level and High Level options, the Plas-Fit flue kits are suitable for use with the **Enviroblue™ Enviromax™** and **Envirolite** range of boilers in outputs from 12kW to 35kW.

CPF005HHL



CPF005VHL



PDK005CPF



Product Code	Product Description
12-35kW	KITS (125mm dia)
CPF005KIT	PLAS-FIT Low Level Balanced Flue Kit (1 metre)
CPF005VHL	PLAS-FIT Vertical Balanced Flue Kit (3 metres)
CPF005HHL	PLAS-FIT High Level Flue Kit
12-35kW	ACCESSORIES (125mm dia)
CPF005EXA	PLAS-FIT Extension, 1000mm
CPF005EXB	PLAS-FIT Extension 500mm
CPF455ELB	PLAS-FIT 45 degree Elbow (pair)
CPF905ELB	PLAS-FIT 90 degree Elbow
CPF005WBK	Wall Bracket to suit PLAS-FIT
12-35kW	PLUME DISPERSAL (80mm dia)
PDK005CPF	PLAS-FIT Plume Management Kit
PDK045PBD	80mm Plas-Fit Plume 45 degree Elbow
PDK090PBD	80mm Plas-Fit Plume 90 degree Elbow
PDK005PXA	80mm Plas-Fit Plume 1000mm Extension
PDK005PWB	80mm Plas-Fit Plume Wall Bracket

Stainless Steel Flue Kits & Accessories

The Firebird range of stainless steel flue kits and accessories are suitable for use with the **Enviroblue™**, **Enviromax™** and **Envirolite** ranges of boilers. Stainless steel flue kits are available for the following applications:

- Low level flue (including plume dispersal)
- Conventional flue
- High level flue (vertical & horizontal)

Low Level Flue Kits

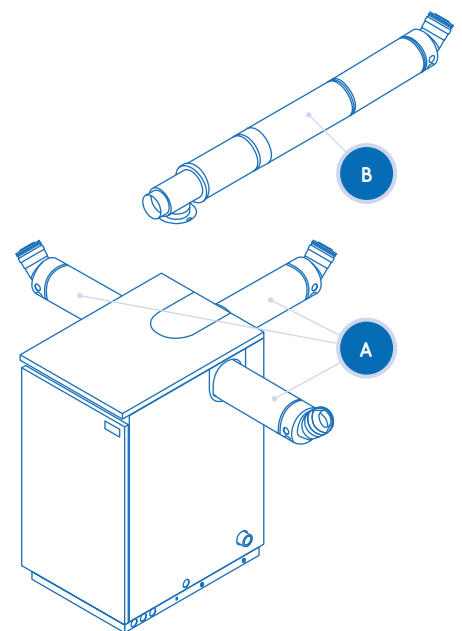
Low level flue kits have become popular in recent years due to their convenient size and ease of installation. When installing a condensing low level flue, consideration should be given to the discharge of the condense plume. In some circumstances a plume dispersal kit may be necessary.

Product Code	Product Description
20-35kW	
KITS AND EXTENSIONS (125mm dia)	
A CBF005KIT	Low Level Flue Kit 380-600mm Stainless Steel Guard inc.
A CBF005SKT	Low Level Flue Kit (short) 200-280mm Stainless Steel Guard inc.
B CBF005EXT	450mm Extension for Low Level Flue Kit.
44-58kW	
KITS AND EXTENSIONS (150mm dia)	
A CBF006KIT	Low Level Flue Kit 380-600mm Stainless Steel Guard inc.
A CBF006SKT	Low Level Flue Kit (short) 200-280mm Stainless Steel Guard inc.
B CBF006EXT	450mm Extension for Low Level Flue Kit.
73kW	
KITS AND EXTENSIONS (185mm dia)	
A CBF007KIT	Low Level Flue Kit 380-600mm Stainless Steel Guard inc.
A CBF007SKT	Low Level Flue Kit (short) 200-280mm Stainless Steel Guard inc.
B CBF007EXT	450mm Extension for Low Level Flue Kit.

*A – Low Level Flue Kit

All low level flue kits contain:

- Telescopic balanced flue with Venturi Insert
- Terminal Guard
- Deflector Plate
- Silicone Lubricant
- Jubilee Clip for Air Snorkel
- Assembly Instructions



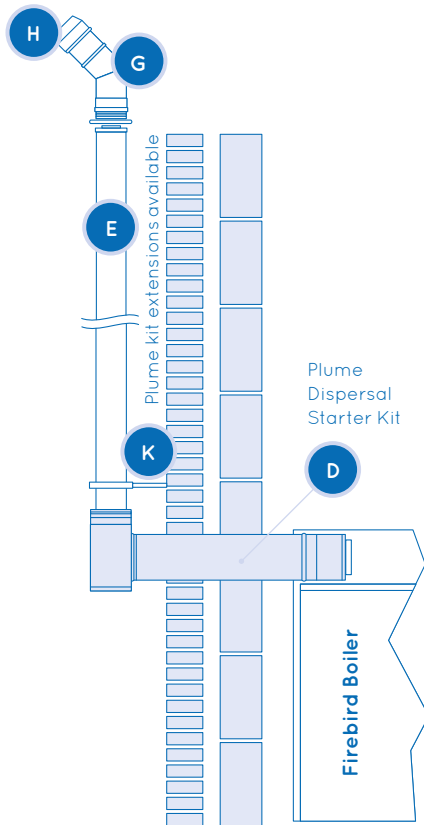
!

NB: Only Firebird-approved flue kits and accessories may be used on Firebird boilers. Use of unapproved flue kits may invalidate the boiler warranty policy.

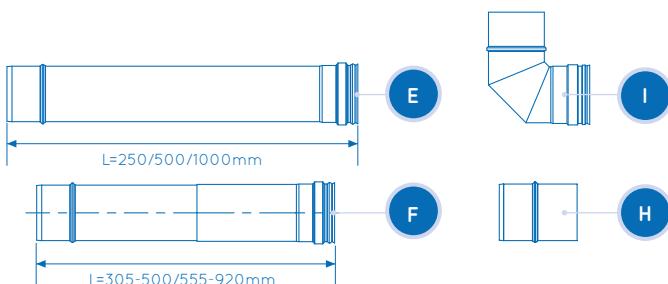
Stainless Steel Flue Kits & Accessories

Plume Dispersal Kits

A plume dispersal kit can be connected to the exhaust terminal of a low level flue in order to discharge flue gases (plume) up, over head height and neighbouring properties. Plume dispersal options can be used with a kit or retrofitted to an existing concentric flue.



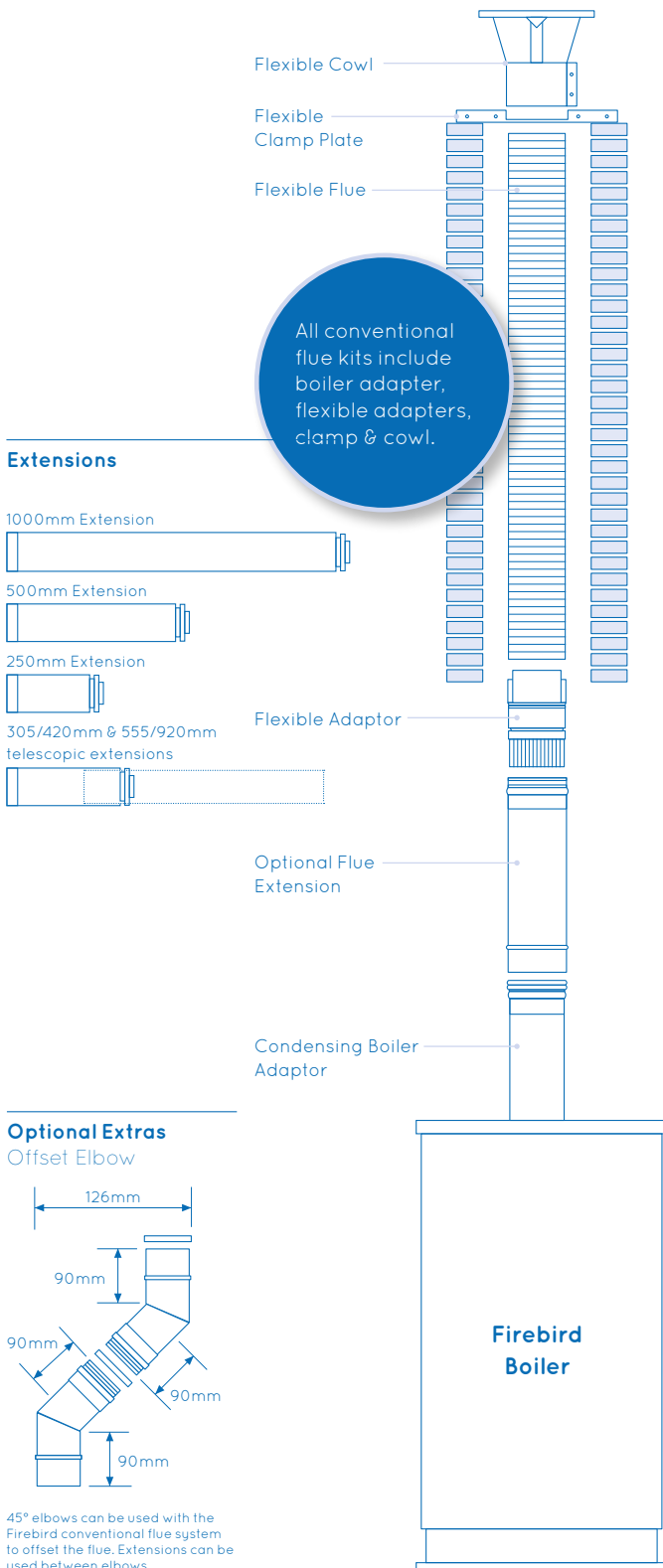
Other components available



Product Code	Product Description
12-35kW KIT AND EXTENSIONS (80mm dia)	
D PDK125KIT	5" Plume Dispersal Balanced Flue Starter Kit
E PDK250KIT	250mm length
E PDK500KIT	500mm length
E PDK1000KT	1000mm length
F PDK420KIT	305/420 adjustable length
F PDK920KIT	555/920 adjustable length
G PDK045BND	45 degree Bend
H PDK000HLE	Terminal Insert
I PDK090BND	90 degree Bend
J PDK000CHC	Cowl
K PDK000WBK	Wall Bracket
PDK080POP	Boiler Plume Flue Adaptor
44-58kW KIT AND EXTENSIONS (100mm dia)	
D PDK150KIT	Plume Dispersal Balanced Flue Starter Kit
E PDK256KIT	250mm length
E PDK506KIT	500mm length
E PDK1006KT	1000mm length
F PDK426KIT	305/420 adjustable length
F PDK926KIT	555/920 adjustable length
G PDK456BND	45 degree Bend
H PDK006HLE	Terminal Insert
I PDK906BND	90 degree Bend
J PDK006CHC	Cowl
K PDK006WBK	Wall Bracket
PDK100POP	Boiler Plume Flue Adaptor
73kW KIT AND EXTENSIONS (125mm dia)	
D PDK180KIT	Plume Dispersal Balanced Flue Starter Kit
E PDK257KIT	250mm length
E PDK507KIT	500mm length
E PDK1007KT	1000mm length
F PDK427KIT	305/420 adjustable length
F PDK927KIT	555/920 adjustable length
G PDK457BND	45 degree Bend
H PDK007HLE	High Level Elbow Terminal
I PDK907BND	90 degree Bend
J PDK007CHC	Cowl
K PDK007WBK	Wall Bracket
PDK125POP	Boiler Plume Flue Adaptor
100kW KIT AND EXTENSIONS (150mm dia)	
D PDK200KIT	Plume Dispersal Balanced Flue Starter Kit
E PDK258KIT	250mm length
E PDK508KIT	500mm length
E PDK1008KT	1000mm length
F PDK428KIT	305/420 adjustable length
F PDK928KIT	555/920 adjustable length
G PDK458BND	45 degree Bend
H PDK008HLE	High Level Elbow Terminal
I PDK908BND	90 degree Bend
J PDK008CHC	Cowl
K PDK008WBK	Wall Bracket
PDK150POP	Boiler Plume Flue Adaptor

Stainless Steel Flue Kits & Accessories

Conventional Flue Kits

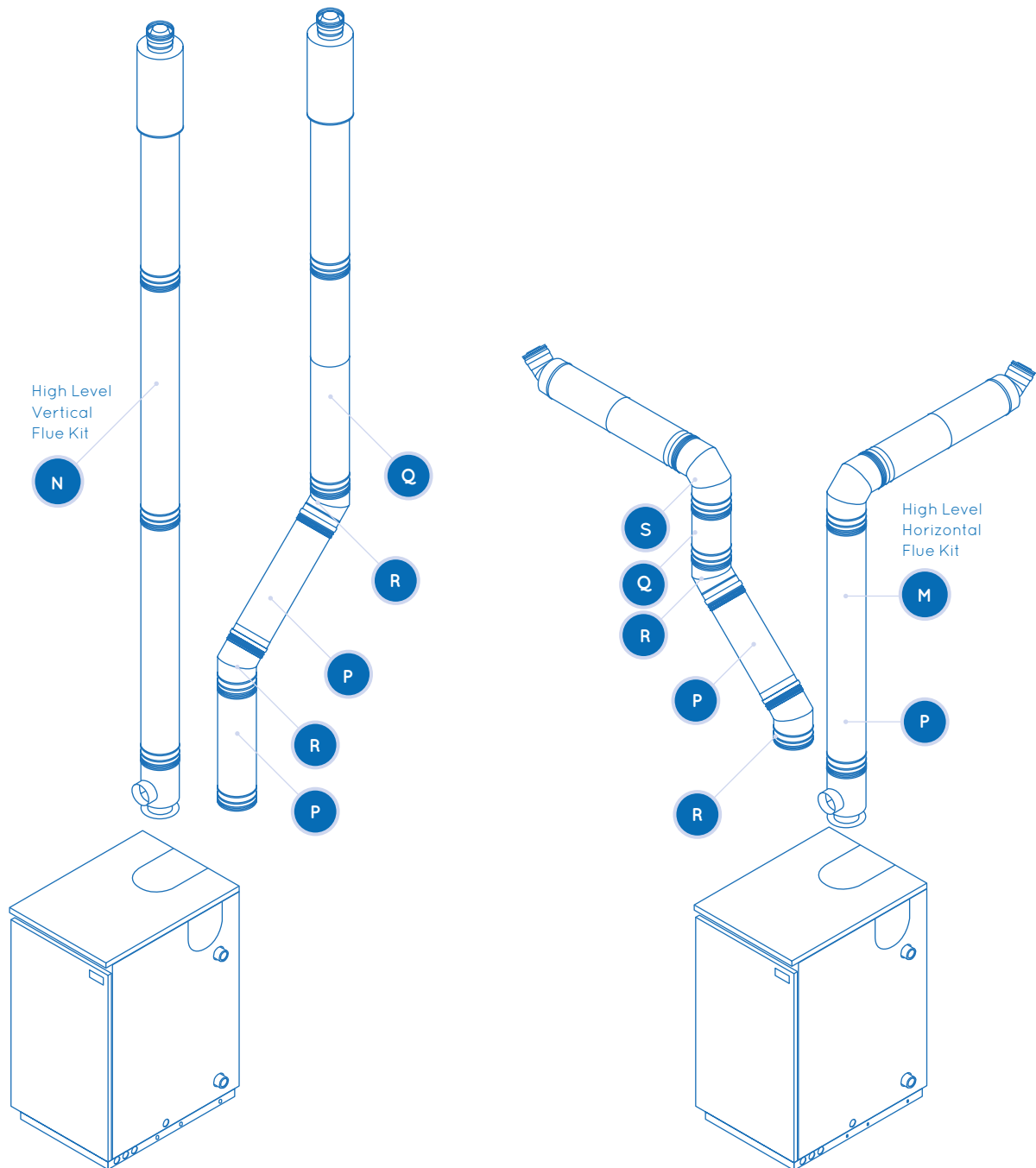


Product Code	Product Description
12-35kW	
KITS & EXTENSIONS (100mm dia) (Kit contents include boiler and flex adaptor, clamp and cowl)	
ECF003KIT	3m Kit
ECF006KIT	6m Kit
ECF008KIT	8m Kit
ECF010KIT	10m Kit
ECF012KIT	12m Kit
ECF014KIT	14m Kit
ECF016KIT	16m Kit
ECF100EXB	1000mm length white
ECF100EXC	500mm length white
ECF100EXD	250mm length white
ECF250ADJ	305/420mm adjustable length
ECF500ADJ	555/920mm adjustable length
ECFO45ELB	45° Bend
ECF100WBK	Wall Bracket
44-58kW	
KITS & EXTENSIONS (150mm dia) (Kit contents include boiler and flex adaptor, clamp and cowl)	
ECF606KIT	6m Kit
ECF608KIT	8m Kit
ECF610KIT	10m Kit
ECF612KIT	12m Kit
ECF614KIT	14m Kit
ECF616KIT	16m Kit
ECF150EXB	1000mm length white
ECF150EXC	500mm length white
ECF150EXD	250mm length
ECF256ADJ	305/420mm Adjustable length white
ECF506ADJ	555/920mm Adjustable length white
ECF456ELB	45° Bend
ECF150WBK	Wall Bracket
73-100kW	
KITS & EXTENSIONS (180mm dia) (Kit contents include boiler and flex adaptor, clamp and cowl)	
ECF706KIT	6m Kit
ECF708KIT	8m Kit
ECF710KIT	10m Kit
ECF712KIT	12m Kit
ECF714KIT	14m Kit
ECF716KIT	16m Kit
ECF180EXB	1000mm length white
ECF180EXC	500mm length white
ECF180EXD	250mm length
ECF257ADJ	305/420mm Adjustable length white
ECF507ADJ	555/920mm Adjustable length white
ECF457ELB	45° Bend
ECF180WBK	Wall Bracket

Stainless Steel Flue Kits & Accessories

High Level & Vertical Flue Kits

High level flue kits are the optimal flue system, as they provide good natural draft and ensure that the flue gases are discharged away from habitable areas.



Product Code	Product Description
12-35kW	
KITS & EXTENSIONS (125mm dia) (White Coated)	
M HLE005HHL	1075mm High Level Horizontal Flue Kit
N HLE005VHL	3 metre Vertical Balance Flue Kit
P HLE005EXA	1000mm High Level/Vertical Extension
P HLE005EXB	500mm High Level/Vertical Extension
P HLE005EXC	250mm High Level/Vertical Extension
Q HLE005EXD	330mm Adjustable Extension
R HLE455ELB	45 degree Bend
S HLE905ELB	90 degree Bend
COF005PFL	Pitch Flashing
COF005FFL	Flat Flashing
HLF005WBK	Wall Bracket
44-58kW	
KITS & EXTENSIONS (150mm dia) (Stainless Steel)	
M HLF006HHL	1075mm High Level Horizontal Flue Kit
N HLF006VHL	3 metre Vertical Balance Flue Kit
P HLF006EXA	1000mm High Level/Vertical Extension
P HLF006EXB	500mm High Level/Vertical Extension
P HLF006EXC	250mm High Level/Vertical Extension
Q HLF006EXD	330mm Adjustable Extension
Q HLF006EXE	555mm/920mm Adjustable length
R HLF456ELB	45 degree Bend
S HLF906ELB	90 degree Bend
COF006PFL	Pitch Flashing
COF006FFL	Flat Flashing
HLF006WBK	Wall Bracket

Product Code	Product Description
73kW	
KITS & EXTENSIONS (180mm dia) (Stainless Steel)	
M HLF007HHL	1075mm High Level Horizontal Flue Kit
N HLF007VHL	3 metre Vertical Balance Flue Kit
P HLF007EXA	1000mm High Level/Vertical Extension
P HLF007EXB	500mm High Level/Vertical Extension
P HLF007EXC	250mm High Level/Vertical Extension
Q HLF007EXD	305mm/420mm Adjustable length
Q HLF007EXE	555mm/920mm Adjustable length
R HLF457ELB	45 degree Bend
S HLF907ELB	90 degree Bend
HLF007WBK	Wall Bracket
100kW	
KITS & EXTENSIONS (200mm dia) (Stainless Steel)	
M HLF008HHL	1075mm High Level Horizontal Flue Kit
N HLF008VHL	3 metre Vertical Balance Flue Kit
P HLF008EXA	1000mm High Level/Vertical Extension
P HLF008EXB	500mm High Level/Vertical Extension
P HLF008EXC	250mm High Level/Vertical Extension
Q HLF008EXD	250mm Adjustable Extension
Q HLF008EXE	500mm Adjustable Extension
R HLF458ELB	45 degree Bend
S HLF908ELB	90 degree Bend
HLF008WBK	Wall Bracket

*M - High Level Horizontal Flue Kit

All high level horizontal flue kits contain:

- Boiler Adaptor
- 1000mm Vertical Length
- 90° Bend
- Jubilee Clip for air snorkel
- Wall Seal
- Silicone Lubricant
- Assembly Instruction
- Horizontal Terminal – 20-35kW = 500mm Fixed,
44-100kW = 300-500mm Adj.

*N - Vertical Flue Kit

All vertical flue kits contain:

- Boiler Adaptor
- Storm Collar
- 2 x Wall Brackets
- Silicone Lubricant
- Jubilee Clip for air snorkel
- Assembly Instructions
- 2 x 1000mm Lengths
- Rain Cowl
- 1000mm length including Terminal

Flue Kits for Blue Supreme™ Boilers

A range of flue kits has been designed specifically for use with the **Blue Supreme™** range of boilers. The flue kits are available for both low level and high level applications, in stainless steel or a white finish.

Product Code	Product Description
20-26kW	KITS & EXTENSIONS
BSF005CBF	Top Outlet Low Level Flue Kit - SS
BSF005WBF	Top Outlet Low Level Flue Kit - White
BSF005HHL	High Level Horizontal Flue Kit - SS
BSF005VHL	High Level Vertical Flue Kit - SS
BSF005WHH	High Level Horizontal Flue Kit - White
BSF005WVH	High Level Vertical Flue Kit - White

BSF005WVH



BSF005WHH



BSF005WBF



BSF005CBF

