

# FIREBIRD



HEATING SOLUTIONS

*MULTIFUEL RANGE COOKER*



# INDEX

	Page
1.0 INTRODUCTION	3
2.0 IMPORTANT SAFETY NOTES	3
3.0 TERMS & CONDITIONS OF WARRANTY	4
4.0 INSTALLATION INSTRUCTION	
4.1 Performance	5
4.2 Specification	6
4.3 Health and Safety	7
4.4 Air Supply	9
4.5 Chimney/Flue	9
4.6 Installing Appliance	10
4.7 Heating and Hot Water System	11
4.8 System Controls	11
4.9 Checks before Lighting	11
4.10 Commissioning	11
4.11 CO Alarms	12
5.0 OPERATING INSTRUCTIONS	
5.1 Fuels	13
5.2 Lighting and Controlling	13
5.2.1 Wood	14
5.2.2 Smokeless Fuel	14
5.2.3. Overnight Banking	14
5.3 Cooker Operation	16
5.3.1 Doors & Shelves	16
5.3.2 Thermostat	17
5.3.3 Cooking	17
5.4 Clearance of Ash	19
6.0 MAINTENANCE	
6.1 Cleaning	19
6.2 Door Seals	20
6.3 When Not in Use	20
6.4 Chimney Clean	20
6.5 Chimney Fires	20
6.6 Fume Emission	21
6.7 Pipe Protection	21
6.8 Servicing	21
6.9 Spare Parts	21
7.0 TROUBLE SHOOTING	22
WARRANTY REGISTRATION	

## 1.0 INTRODUCTION

We would like to thank you for purchasing a Firebird Multifuel range cooker. This instruction manual is produced for the reference and guidance of qualified installation engineers such as those who are OFTEC registered (Oil Firing Technical Association). EU legislation governs the manufacture, operation and efficiency of all domestic central heating oil cookers.

This instruction manual has been produced for the reference and guidance of qualified installation technicians.

You should ensure that all installation, servicing and commissioning works are carried out by a HETAS approved or competent, qualified engineer/installer. It should be noted that it is the responsibility of the installer/householder to ensure that the range cooker is properly commissioned. Failure to do so may invalidate the warranty.

## 2.0 IMPORTANT SAFETY NOTES

- The term Multifuel refers to commercially available solid fuels such as wood, smokeless coal and anthracite. The appliance shall not be used as an incinerator; only recommended fuels shall be used. Non-recommended or liquid fuels should never be used when lighting or filling the fire.
- THIS RANGE COOKER SHOULD ONLY BE INSTALLED IN OPEN VENTED SYSTEMS.
- THE APPLIANCE IS HOT WHILE IN OPERATION AND REMAINS HOT FOR A PERIOD AFTER USE. ENSURE THAT CHILDREN OR INFIRM PERSONS ARE SUPERVISED AT ALL TIMES WHILE APPLIANCE IS HOT UNTIL COOLED THOROUGHLY.
- Do not store liquid fuels in the close proximity to the range cooker.
- The range cooker is designed in such a way, that under normal burning conditions, the fumes pass up through the chimney flue and do not escape into the home. Please ensure that the flue system is checked regularly, that no cracks or openings are evident and that the seals on the range cooker are in good condition.
- This appliance is designed and tested in accordance with manufacturing standards. No modifications to the appliance must be carried out.
- ENSURE THAT ALL COOKER COMPONENTS ARE IN PLACE BEFORE LIGHTING.
- THE RANGE COOKER DOOR SHOULD NOT BE KEPT OPEN WHEN THE FIRE IS LIT/ BURNING.
- The range cooker should never be over stocked/over filled. The draught settings should be reduced if this occurs.
- A mechanical air supply should never be added to the range cooker.
- The range cooker reaches high temperatures and can be hot to touch. Ensure that safety guards (in accordance with BS8423:2002) are in place.
- Do not place any furniture or combustible material within 800mm of the range cooker.
- Please ensure that operating tools be used where provided. The range cooker becomes very hot during operation and should not be touched by bare hands.

- Ensure that BS 8303, Code of Practice for installation of domestic heating and cooking appliances burning solid mineral fuel, is adhered to at all times.
- Aerosols must not be sprayed neat the appliance while alight.
- Ensure the following codes and standards are adhered to;
  - BS EN 15287 – 1:2007 Design, installation and commissioning of chimneys
  - BS EN 14336:2004 Heating Systems in Buildings.
  - Installation and commissioning of water based heating systems
  - BS EN 12828:2003 Heating systems in buildings
  - Design of water based heating systems
  - BS EN 12831:2003 Heating systems in Buildings
  - Method of calculation of the design heat load.
- Please read this manual carefully prior to installation of the range cooker.
- Installation of the range cooker must conform to Building Regulations at all times.

### **3.0 TERMS & CONDITIONS OF WARRANTY**

- This Firebird product is designed and manufactured to give many years of trouble-free service. We provide a comprehensive warranty of 5 years on the range cooker shell and to year warranty on all other parts from date of installation.
- The warranty will only apply if the range cooker is installed by a HETAS approved or a competent, qualified engineer/installer and is serviced annually thereafter.
- The following terms, laid out in the warranty must be adhered to:
  - (a) All claims under the warranty must be received within 5 years from the date of installation.
  - (b) The range cooker must be installed and commissioned by a HETAS approved or competent, qualified engineer/installer and as set out in this instruction manual.
  - (c) Maintenance should be carried out at the intervals outlined in this manual.
  - (d) Installation of the range cooker must be in accordance with this manual and all relevant standards and codes of practice. All local regulations, including those referring to national and European standards need to be complied with when installing the appliance
  - (e) Firebird can accept no liability in respect of any defect arising from incorrect installation, negligence, fair wear and tear, misuse, alteration or repair by unqualified persons.
  - (f) The warranty extends to reasonable labour costs except under clause (a), where any valid claim made after 3 years will not include labour costs.
  - (g) Firebird's prior authorisation must be obtained before examination or repair of the range cooker takes place.
  - (h) Firebird will examine all claims made under the warranty and for any claims deemed invalid, costs incurred will be borne by the householder.
  - (i) The range cooker must be used for domestic heating purposes only.
  - (j) Any defective part removed under any or all of the warrantees MUST be returned to Firebird.

**THE STATUTORY RIGHTS OF THE HOUSEHOLDER ARE NOT AFFECTED BY THIS WARRANTY**

## 4.0 INSTALLATION INSTRUCTION

### 4.1 PERFORMANCE

The following highlights the output and test performance of the range cooker:

#### Firebird Multifuel Range Cooker

Fuel Type	Wood	Ancit	Ancit
Output to Water - kW	11.1	15.4	11.5
Output to Space - kW	3.7	3.9	1.0
Efficiency - %	74.0	78.4	79.5
CO (@13% O <sub>2</sub> )	0.44	0.12	0.21
Mean Flue Gas Temp °C	302	305	252
Flue gas mass flow (g/s)	13.4	13.2	10.6
BS Standard	BS EN 13229:2001 + A1:2004		
Test Type	Intermittent	Intermittent	Continuous
Minimum safe distance from combustibile materials: To rear 135mm and sides 0mm			

Unit Weight Empty – 480kg

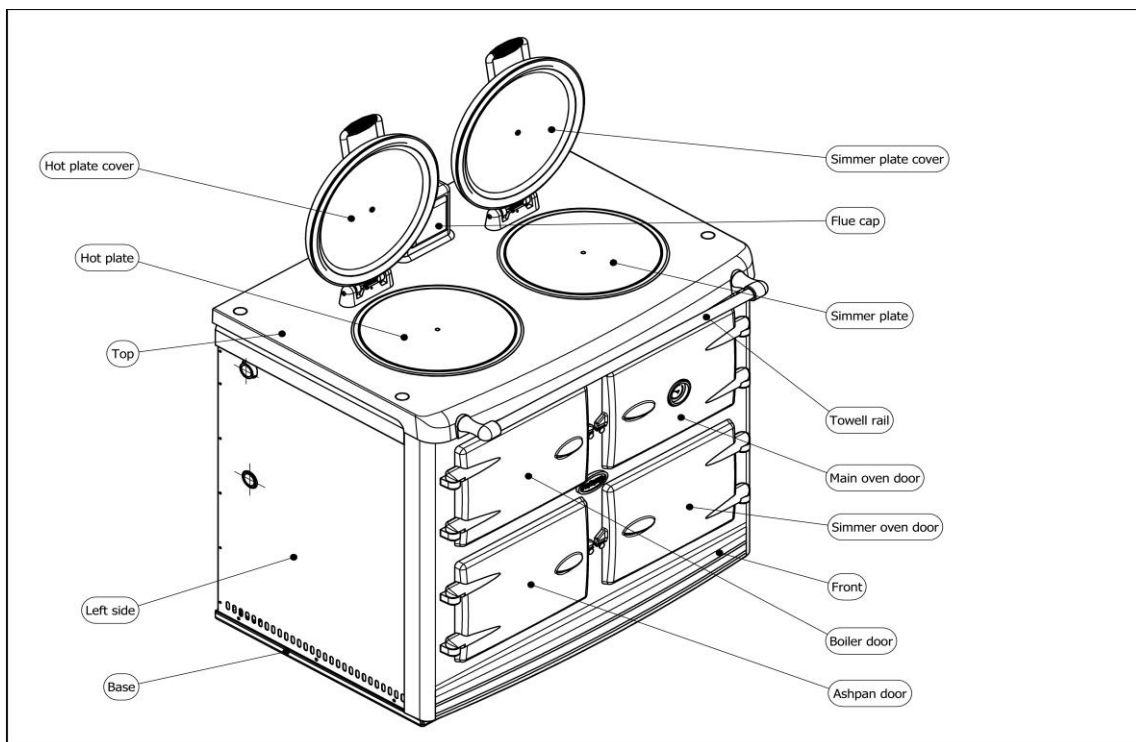
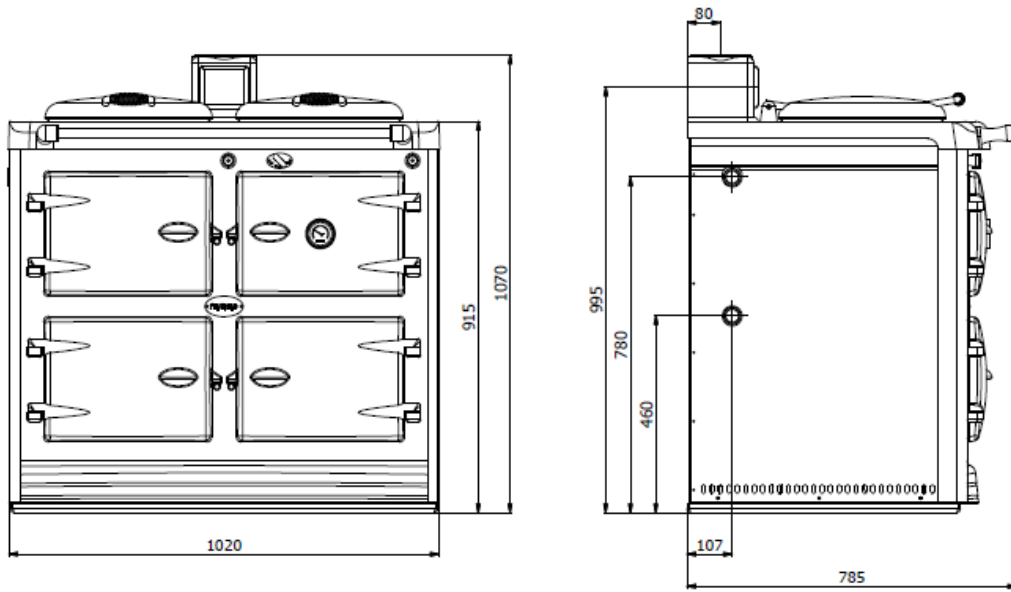
Water Content – 65 litres

Maximum boiler operating pressure – 3 bar

The appliance is capable of intermittent operation when burning wood logs and both intermittent and continuous operation when burning smokeless fuel.

Heat outputs and efficiencies at intermittent operation are based on heat over a one hour period, using wood logs or Ancit solid fuel. The heat outputs and efficiency at continuous operation are based on heat over a three hour period, using Ancit solid fuel. Results were obtained by independent testing to BS Standard EN 12815.

## 4.2 SPECIFICATION



### 4.3 HEALTH AND SAFETY

When installing the range cooker, please ensure that the following Health & Safety Regulations are met:

- UK - Health and Safety at work Act 1974.
- IRL - Safety, Health and Welfare at Work Act 2005, (Construction Regulations 2006).

Installation, commissioning and/or servicing should only be carried out by a HETAS approved or competent, qualified engineer/installer.

The installation of any electrical services during the installation of this boiler and the associated heating system must be carried out by a registered competent electrician and in accordance with the requirements of the latest issue of BS 7671.

The small amounts of adhesives and sealants used in the manufacture of this appliance are cured and do not present any known hazards when used for their intended purpose.

**NOTE: If your Firebird Range cooker is not installed, operated & maintained properly a house fire may result!**

#### ADDITIONAL MATERIAL SAFETY ITEMS

**Handling** - Adequate facilities must be available for loading, unloading and site handling.

**Fire Cement** - Some types of fire cement are caustic and should not be allowed to come into contact with the skin. In case of contact wash immediately with plenty of water.

**Asbestos** - This product contains no asbestos. If there is a possibility of disturbing any asbestos in the course of installation then please seek specialist guidance and use appropriate protective equipment.

**Metal Parts** - When installing or servicing this cooker, care should be taken to avoid the possibility of personal injury.

#### FIRE SAFETY

Cooking is the biggest cause of house fires.  
Fires start when your attention stops.

##### *Precautions*

- ✓ Install a fire alarm in your kitchen.
- ✓ Keep the oven, top plate and pans clean.

##### *Safe Frying*

The safest way to avoid a fire when cooking with hot oil is either:

- ✓ To use a thermostat controlled electric deep fat fryer;
- ✓ or switch to oven cooking.

***If you do use a chip pan:***

- ✓ Turn the handle to the side so that oil does not spill accidentally.
- ✓ Don't fill the pan more than one third full of fat or oil.
- ✓ Make sure the chips are dry before putting them in the hot oil/fat.
- ✓ Ensure the oil is not too hot, by first testing with one chip.
- ✓ Don't ever leave a pan on the heat unattended.
- ✓ Never deep fat fry when you have been drinking alcohol or taking medication that makes you drowsy.

**IF OIL CATCHES FIRE WHILE COOKING:**

**and the fire is well established:**

- ✓ Get out of the house.
- ✓ Close all doors behind you
- ✓ Dial 999.
- ✓ Do not try to move the pan.
- ✓ Do not throw water on the fire, as it will react violently with hot oil/fat.

**and the fire is in the early stages and it is safe to do so:**

- ✓ Turn off the heat.
- ✓ Get everyone out of the house & stay out
- ✓ Close all doors behind you.
- ✓ Dial 999.
- ✓ Do not try to move the pan.
- ✓ Do not throw water on the fire, as it will react violently with hot oil/fat.

## 4.4 AIR SUPPLY

It is essential that you provide an adequate air supply for safe and efficient operation of your range cooker.

The air supply will ensure efficient combustion. Failure to do so could result in smoke filling into the room.

### Air Requirements

A permanent air entry opening or openings, with a total free area of at least 550mm<sup>2</sup> per kW of rated output above 5kW, shall be provided. Under no circumstances should this be less than 6500mm<sup>2</sup>.

If a flue draught stabiliser is fitted, then the first 5kW of rated output is 300mm<sup>2</sup> per kW and the balance of the rated output is 850mm<sup>2</sup> per kW.

“For newer build properties the requirements may need to be higher if the design permeability of the home is less than 5m<sup>3</sup>/h.m<sup>2</sup>”. Approved Document J of the building regulations gives more details.

NOTE: No extractor fan should be fitted in the same room as this appliance.

## 4.5 CHIMNEY/FLUE

In order for the appliance to have sufficient draw to perform satisfactorily, a height of no less than 4.5 meters, vertically from the top of the appliance to the top of the chimney, is required. Alternatively, chimney design with sufficient draught can be calculated, in accordance with EN13384-1. A minimum clearance of 1m above any obstruction, within a 7.6m radius should be achieved, if down draughts are to be avoided.

Where a standard chimney is not available, a flue type of twin wall, fully insulated, may be used. The inner diameter is to be a minimum of 6” and must terminate no lower than the main ridge or adjacent outside obstructions. Cleaning access must be provided on such types of flues.

The existing chimney must be checked before installing the appliance. It must be sound, free from cracks and blockages and swept clean. It should not have an excessive cross sectional area greater than 250mm x 250mm square or equivalent area. Minimum inner diameter of 150mm to 200mm is required.

The chimney and connecting flue pipe must have a minimum diameter of 150mm and its dimension should not narrow to less than the size of the outlet socket of the stove at any point.

Do not connect the range cooker to a chimney flue which is connected to another appliance.

It is essential that you use only stainless steel flue pipe for your range cooker and that all installations are carried out in accordance with building regulations and manufacturer’s instructions. Always fit pipes with the narrow side down, to allow any creosote to run down the inside of the pipe. This avoids possible fire risk.

Firebird recommend that a thorough inspection of the chimney is carried out prior to installation and on a regular basis thereafter.

The chimney should be of sound construction, free from debris, capable of withstanding extremely high temperatures and have no evidence of cracks or other faults.

Best installation practice is to install a flue lining suitable for solid fuels. A rigid connection adaptor should be used to connect the flue liner to the range cooker.

Pipe bends should be kept to a minimum and there should be no more than two 45° bends on any installation within a chimney. Flues should not pass through ceilings, floors or any form of combustible walls without adequate, approved insulation having been installed, to protect the combustible material.

## **4.6 INSTALLING THE APPLIANCE**

The appliance must be installed on a solid base that can take the weight and is of a non-combustible material.

1. Remove the range cooker from its packaging and inspect for any damage.
2. Ensure the ground is level. The hearth should be strong enough to support the weight of the cooker. If a hearth is not installed then a solid concrete slab is required.
3. Fit the appliance into the opening, making sure it is central.
4. Make the connections to the boiler and ensure the primary flow pipe rises from the boiler so that no air is trapped in the boiler.
5. Draining taps must be located in accessible positions which permit the draining of the whole system, including the appliance and hot water storage vessel. Draining taps should be at least 1/2in. (12.5mm) BSP nominal size and be in accordance with BS 2879.
6. Fill the system with water and check the boiler connections for leaks. Ensure that the materials used for back filling are non-combustible.
7. An expansion pipe must be fitted to the range cooker water outlet pipe, which must be vented to atmosphere, above the height of the header tank. There should not be any valves between the range cooker and the vent pipe outlet and it must not be possible to obstruct the outlet in anyway.
8. Fit the flue connector to the top of the appliance so that it is central to the chimney. Ensure that the flue manufacturer's instructions are adhered to at all times.
9. All voids must be filled and the flue pipe flaunching into the chimney, so that no soot can collect when sweeping the chimney.
10. Make good the holes in the front and side of the chimney breast, ensuring they are airtight. Remove any material from inside the appliance and check the flue pipe is clear.

## **4.7 HEATING AND HOT WATER SYSTEM**

The central heating system must comply with BS5449 part 1.

The hot water cylinder must be indirect and should comply with BS1566 part 1. The system must be open vented and the header tank should not be more than 12 meters above the boiler.

It is necessary to ensure that this solid fuel appliance is installed on an un-valved route from the solid fuel appliance to an open vent on the system.

In case of pump failure or a power cut, the system should be able to work on gravity to the hot water cylinder. In addition, the fire should be quenched, using best practice. Dumping of hot water (i.e. running hot water taps) may be required.

Best installation practice is to install a heat leak radiator on the gravity circuit to the cylinder/expansion tank. This heat leak radiator dissipates heat from the solid fuel appliance in times of slumbering, excessive heat from the appliance or 'power down' occurrences.

The heat leak radiator should be sized at 10% of the solid fuel appliance output.

## **4.8 SYSTEM CONTROLS**

The system pump may not be controlled by time switches. Range cooker can be controlled with pipe thermostat. Ensure that all controls are installed to building regulations.

Radiators can be fitted with thermostatic or manual valves. Please note: no valves must be fitted to radiators where they act as the heat leak.

## **4.9 CHECKS BEFORE LIGHTING A FIRE**

The following checks should be carried out prior to lighting a fire in the range cooker:

1. All components are in place.
2. The flue is clear of obstacles and a flue draught test has been undertaken/confirmed
3. The system is full with water and vented.
4. Has a suitable inhibitor been added?
5. Ensure the correct operation of the thermostat is carried out before using the appliance. To carry out a check please turn the thermostat control dial to minimum (0), to ensure that the closure plate sits flush against the stove body. If it doesn't, it can be further tightened with a crosshead screwdriver. Once a satisfactory closure is achieved, the control arm can then be opened ready for use.

## **4.10 COMMISSIONING**

Light the fire and check all joints and seals. Ensure that fumes and smoke are being taken up the chimney and no fumes are entering the room. Carry out appropriate flue draught test. Install a cowl or stabiliser if required. Note that flue should be capable of a continuous negative pressure of 0.6 and 0.10" WG. Ensure that the door is not opened too frequently as it is essential fire ignites to adequate level.

The heating system should be balanced in accordance with best plumbing practice. The return temperature to the boiler must be maintained at 40°C so as to avoid condensation of the boiler or return pipework. A by-pass may be required should adequate return temperatures not be achieved.

Before completing the commissioning, the householder should be advised as to the operation of the range cooker and the heating controls.

The instruction manual should remain with the householder.

#### **4.11 CO ALARMS**

Building Regulations require that whenever a new or replacement fixed multifuel wood/biomass appliance is installed in a dwelling, a carbon monoxide alarm must be fitted in the same room as the appliance. Further guidance on the installation of the carbon monoxide alarm is available in BS EN 50292:2002 and from the alarm manufacturer's instructions. Provision of an alarm must not be considered a substitute for either installing the appliance correctly or ensuring regular servicing and maintenance of the appliance and chimney system.

## 5.0 OPERATING INSTRUCTIONS

### 5.1 FUELS

HETAS Ltd. approval covers the burning of the following smokeless fuels in this range cooker:

- Ancit (smokeless coal)
- Anthracite Large Nuts.
- Centurion.
- Cosycoke.
- Maxibrite.
- Phurnacite.
- Sunbrite Doubles.
- Welsh Dry Steam Coal (large nuts).

The above fuels are all suitable for smoke control areas.

**NOTE: Petroleum coke should never be used on this appliance. If used, it will invalidate the guarantee.**

Wood can be used in this appliance.

The two main factors to be considered when burning wood are the moisture content and the density.

Moisture in wood will have an effect on the CV (amount of heat per unit volume), as any moisture in the wood has to be boiled away before the wood will burn.

It can also create smoke and tars which could be corrosive and increase the risk of a chimney fire.

Well-seasoned logs can have approximately twice the CV of unseasoned green logs. Hard wood logs are denser than soft wood logs and tend to burn for a longer period of time. Air dried wood should be seasoned for at least 12 months, before burning.

Wood that has been contaminated or treated with varnish, paint or other coatings and preservatives should not be used. Not only does it release noxious chemicals into the air, but it can also contribute to the amount of tar and deposits building up in your chimney.

### 5.2 LIGHTING AND CONTROLLING THE FIRE

To light a fire place firelighters, kindling and smokeless coal, in this order, into the firebox, as per standard practice and ignite. Ensure the primary damper is fully opened. Once ignited close the door to a suitable setting (please refer to wood and smokeless fuel settings on the next page). Fuel must be added to the firebox as required. This is dependent on the fuel type being used and also the system it is

connected to. It is important you get to know your appliance and quantity of fuel required.

The room should be kept well ventilated on the first lighting, as there may be an odour and some smoke may be released. This is just the paint reacting to the heat and will only last for a short time.

Ensure the doors on the range cooker are kept closed at all times. This ensures minimum fumes spilling into the room.

**NOTE:** You should never over stock/over fill your range cooker.

### **Refuelling**

Refuel the appliance when there is still a good bed of glowing embers. The primary damper should be closed and the door should be opened slowly as this will assist in preventing back draught into the room.

This solid fuel appliance has a tapered grate. Do not over-stock the appliance above the height of the grate.

The type and quality of fuel will determine the time intervals for refuelling this appliance.

### **Primary and Secondary Air**

The appliance has two air setting controls, namely primary and secondary. Please refer to image below for location of these controls. Both controls have settings in the range of 1 to 5. Setting 1 being the lowest; setting 5 being the fastest.

#### **5.2.1 WOOD**

If burning wood only shut off the primary air. The secondary air can be adjusted from settings 1 to 5. Setting 1 being the slow setting for burning. Setting 5 is the fast setting for burning.

#### **5.2.2 SMOKELESS FUEL**

It is necessary to ensure that good quality coal is used at all times. When burning coal, set the secondary to 1 and use the primary as the main controller. The thermostat operates accordingly and maintains temperature in the oven.

#### **5.2.3 OVERNIGHT BANKING**

##### **Smokeless Fuel**

The appliance is designed for continuous slumbering overnight for 12 hours or more. Last thing at night, de-ash the fire, empty the ash pan and fully refuel with smokeless fuel.

**Ensure that the firebox and ash pit door are securely closed**, set the primary and secondary air control to as noted above in section 5.3.3. Set the thermostat to No. 1.

**NOTE: The precise amount of opening depends on local conditions such as the chimney draught and the fuel being used.**

**It may take a few days to obtain the correct procedure for your installation.**

1. If the fuel in the firebox is exhausted prematurely, the thermostat setting is too high and should be reduced.
2. If the fuel does not burn but 'dies out', the thermostat setting should be increased.

Following overnight banking, the fire should be de-ashed, refuelled and the air controls set to maximum to revive the fire. The controls can then be set to the desired positions.

## 5.3 COOKER OPERATION

**Warning! Hot Surface!!** 

The working surfaces on this cooker can reach **HIGH TEMPERATURES** always ensure that the appropriate safety guards are in place where children or infirm people are in the area.

### 5.3.1 DOORS AND SHELVES



	<p><b>To Open Doors</b></p> <p>Lift the door upwards and outwards to release from latch.</p>
	<p><b>To Move Shelves</b></p> <p>Lift the shelf up to release it from its locating pin and then pull it out of the chamber. <b>OVEN GLOVES</b> must be worn while handling the hot shelf.</p>
	<p>Locating Pin.</p>

### 5.3.2 THERMOSTAT



Primary/Secondary Air Control

Thermostat

The air supply to the fire is controlled by a thermostat probe. This has 8 settings which control the heat; 0 will close the thermostat, 3 is normal burning rate and 5 gives max output to central heating and hot water. The thermostat will close when the water reaches temperature in the system.

### 5.3.3 COOKING

#### Use of Hot Plate

The best results can be obtained by using machined base cookware. The hottest hot plate is located immediately above the fire, the other end being for simmering.

The circular plug in the hot plate (in the centre of the hot plate) is for flue cleaning and must not be removed for cooking.

Keep the hot plate clean with a wire brush.

**NOTE: To obtain optimum hot plate performance for fast boiling or hotplate cooking, fuel the firebox to the bottom edge of the firebox aperture to a horizontal level.**

**WARNING: the cooker top plate surface around the hot plate will become hot under use and care must be observed. Please note that the minimum safe distance from combustible materials must be: rear 135mm and sides 0mm.**

#### Use of the top roasting oven

The correct adjustment of the spin wheel and flue chamber damper to obtain the oven temperature required varies with the chimney draught, and can be found only by becoming familiar with your appliance.

The following is a suggested method only, and may need modification to suit local conditions.

Suppose an oven temperature for roasting is desired, and that the cooker is idling. Thoroughly de-ash the fire as described in the respective paragraph, and re-fuel the appliance. For burning wood in the appliance; Set the secondary air to 1 and the primary air to 3 and open the thermostat

### **Cooker Control**

As soon as the fire produces flame, close the flue chamber damper. Do not allow the fire to run away. The temperature of the oven should now rise steadily.

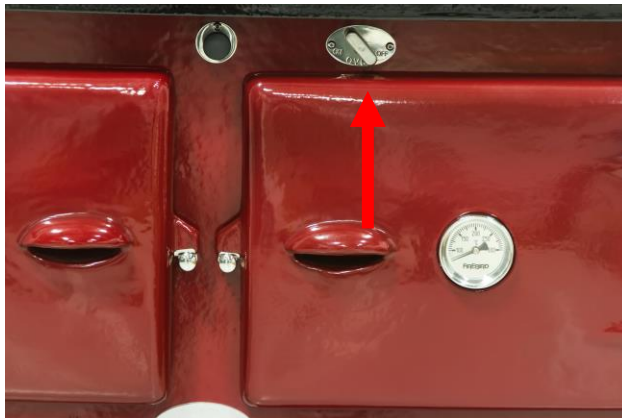
When it reaches the point of about 30°C (50°F) below the required temperature, set the thermostat by closing it down to the appropriate setting.

### **Boiler & Oven**

Turn the lever to “ON” to turn on both the boiler and oven.

### **Boiler Only**

Turn the lever to “OFF” to turn off the oven and use only the boiler.



## 5.4 CLEARANCE OF ASH

The ash pan should be emptied on a regular basis and always before it becomes too full. If ash is left to build up close to the grate, it will cause damage to it.

The ash pan is best emptied before you clean out the fire box because that is when the ash is at its coolest.

## 6.0 MAINTENANCE

### 6.1 CLEANING

Spillages and overflows can be cleaned with a non-abrasive multi surface product to clean the cookers enamelled components (i.e. top and doors). There are a wide variety of products available to customers that have been tested on vitreous enamelled components without causing damage. These products can be purchased at hardware or convenient stores.

The cookers surfaces should be cleaned with a soft cloth to avoid scratching.

The oven should be cleaned firstly with steel wool, followed by painting a light layer of virgin olive on to the ovens internal surface.

The cooker comes equipped with built in flue way brushes (see below). In order to clean the flue ways:

1. Pull the levers three to four times.
2. Lift the oven base plate and hot plates with the tool provided.
3. Remove debris with a vacuum cleaner.

This should be done every two 1-3 weeks initially and thereafter depending on usage.



### ***Cleaning Intervals***

Remove and clean any fly ash or soot that has built up. This should be done on a regular basis, about once a month or more as deemed necessary.

The cooker should be cleaned depending on various aspects including the following:

1. The usage of the cooker.
2. Type of fuel used
3. If spillages occur.

When cleaning, always do so when the range cooker is cold. Abrasive cleaners or pads should never be used. For stubborn deposits, use a proprietary ceramic hob cleaner.

The front of the appliance may be wiped with a damp, lint free cloth and then dried with a dry lint free cloth. Again, make sure the appliance is cold.

## **6.2 DOOR SEALS**

Check that the seals are in good condition and in the correct place. If they are worn, they should be replaced.

## **6.3 WHEN NOT IN USE**

In the summer months or anytime that the range cooker is not being used for a long period of time, clean out the inside thoroughly and open the primary air control slightly.

This will help to prevent condensation, and hence corrosion.

## **6.4 CHIMNEY CLEANING**

The chimney should be cleaned at least once a year.

## **6.5 CHIMNEY FIRES**

If the instructions in this manual are followed and the chimney is cleaned once a year, chimney fires should not occur.

Should the chimney go on fire, close both air intakes and ensure the door is fully closed. This should be enough to ensure the chimney fire dies. If the fire continues, then call the fire brigade. Do not open the range cooker door at any time during this period as it may cause re-ignition. Leave the door closed until the range cooker is cold.

The chimney must be swept and carefully examined for damage after a chimney fire.

## **6.6 FUME EMISSION**

Fume emission is potentially dangerous. There will however be the occasional emission of fumes when opening the door to clean out ashes or filling the fire.

Take the following actions immediately, if you suspect persistent fume emission:

1. Open all windows and doors to ventilate the room.
2. Let the fire go out.
3. Call professional help to find the problem and rectify it.
4. Do not light the fire until the problem is rectified.

Should the range cooker be installed to all regulations (including the installation of an air vent within the room) and smoke is back draughting into the room, then a flue cowl or similar must be considered.

## **6.7 PIPE PROTECTION**

If there is a possibility that a part of the heating system may be frozen, you should not light the cooker until you are confident that the system is free of ice, has no leaks and water is able to fully circulate.

## **6.8 SERVICING**

The following is a guideline checklist which can be used during servicing. Note that other checks may be required (system dependant):

- Check flue to ensure it is clear and free from soot.
- Check air supply to room or range cooker. Ensure that it is clean, secure and free from debris.
- Ensure that all seals are in good condition.
- Ensure that air wash openings are clear.

## **6.9 SPARE PARTS**

Please ensure that all manufacturers' parts are installed as replacement parts

The following spare parts can be ordered from Firebird:

- Door/top plate seals.
- Thermostat.
- Cleaning Tools.
- Fire grate
- Thermostatic air damper.
- Tool for lifting hot plate and oven plate.

## **7.0 TROUBLE SHOOTING**

### **FIRE WILL NOT BURN**

Check that:

- Primary and secondary air inlets are open with no obstructions.
- Chimney and baffles are clear.
- Correct fuel is being used.
- Air supply to room is adequate and not blocked.

### **FIRE NOT RESPONDING TO AIR CONTROLS/OVER BURNING**

Check that:

- The door is fully closed.
- Both air controls to the appliance are fully closed.
- The door seals are in place and in good condition.
- The correct fuel is being used.

### **ADVERSE WEATHER CONDITIONS**

Draught may be affected during bad/poor weather conditions. In this case, air adjustments may be required.

### **OVERHEATING**

In the event that the range cooker should over heat please close off dampers and run hot water to dissipate some heat from the cooker.

### **RADIATORS NOT HEATING/INTERMITTENT HOT WATER**

Check that:

- Primary/secondary air inlets are operating and clean from ash.
- Air vent is not blocked off.
- Ensure flue is clean and allowing sufficient draught.
- Check pipe work flow and return are sized correctly.
- Check if cylinder is heating with oil/gas boiler running.
- Turn off un-required radiators.
- Remove all air from heating system.
- Check that pumps on system are working.

### **RANGE COOKER HOT PLATE**

Should the hot plate not work please check the following;

- Ensure there is no ash under the hot plate.
- Ensure sufficient fire is burning.



**Please complete the following details to register your  
Firebird Multifuel Range Cooker Warranty**

**HOUSEHOLDER**

Name: .....

Address: .....

.....

Tel: .....

**INSTALLER**

Name: .....

Address: .....

.....

Tel: .....

**COOKER DETAILS**

Serial Number .....

**Stove and System Check**

- Appliance is connected to a gravity circuit using 1" Flow and return pipe work.
- Appliance installed and system tested to manufacturers manual and regulations.
- Appliance linked to heating system in accordance with regulations (distance from appliance to cylinder not exceeding 7.8m).
- Sufficient Air Requirements (room air vent) installed (minimum 4" or 100mm).

**Chimney/Flue System**

- Clay pot connection
- Stainless Steel Relining
- Flue Diameter ..... (Minimum Flue diameter of 150mm).

**Chimney/Flue Requirements**

- Chimney Cleaned
- Flue system sealed

**Flue Draught**

- Flue Draught Test complete. Result of Test ..... (min. 12 Pascal's draught).

**Handover Details**

- First ignition of appliance complete .
- Operation and controls confirmed.
- Manuals handed to householder.





**Contact Details:**

Firebird Heating Solutions  
Údarás Industrial Estate  
Baile Mhic Íre  
Co. Cork  
Ireland  
Tel: +353 (0)26 45253  
Fax: +353 90)26 45309  
Email: [info@firebird.ie](mailto:info@firebird.ie)

Firebird Heating Solutions  
Central Avenue  
Lee Mill Industrial Estate  
Nr. Ivybridge  
Devon  
PL21 9PE  
United Kingdom  
Tel: +44 (0)1752 691177  
Fax: +44 (0)1752 691131  
Email: [sales@firebirduk.co.uk](mailto:sales@firebirduk.co.uk)

Firebird Heating Solutions  
Shean  
Forkhill  
Newry BT35 9SY  
Tel: +44 (0)28 30888330  
Fax: +44 (0)28 30889096  
Email: [firebirdproducts@hotmail.co.uk](mailto:firebirdproducts@hotmail.co.uk)

Website: [www.firebird.ie](http://www.firebird.ie) – [www.firebirduk.co.uk](http://www.firebirduk.co.uk) – [www.firebirdrangecookers.com](http://www.firebirdrangecookers.com)