

Retail Price List

Effective from 1st September 2016



Retail Price List Index

Enviromax Condensing Boilers	1	Technical Specification	6
EnviroLite Silver Range Condensing Boilers	2	Solar Hot Water Heating Systems	7
Flue Kits For Condensing Boilers	2-5	Spare Parts/Accessories	8-9

Delivery Charges

Most orders are delivered to UK mainland customers within 1 to 2 working days. Our delivery charges to UK mainland customers are set out below. Firebird reserves the right to amend these charges at short notice. In all cases delivery times quoted are estimates only. No subsequent liability will be accepted by us for any late deliveries howsoever caused.

BOILERS/SOLAR KITS		FLUES PARTS & ACCESSORIES	
Standard Delivery	No charge	Flue Parts*	£10.00
Next Day AM	£35.00	Flue Kits*	£25.00
Next Day Timed	£50.00	Flexi Flue Kits*	£45.00

**No charge if sent with boiler order*

SPARE PARTS/SOLAR PARTS	
Net order value over £100.00	No charge
Net order value under £100.00	£10.00
Next Day AM	£17.00
Saturday Delivery	£30.00

Delivery charges are for business addresses only - delivery to private addresses may incur an additional charge. We will advise if there are any additional carriage charges once we've received the order details.

Restocking Charges

Surplus goods returned for credit will incur a 15% restocking charge. Collection charges will also apply as follows:

PRODUCT	
Boilers/Solar Kits	£75.00 (per pallet)
Flue Kits	£45.00
Parts - Flues, Solar or Spares	£20.00

5 Year Boilerguard - Extended Warranty**

Your Firebird boiler is designed and built to the highest standards and backed by a two year parts and labour warranty. In the unlikely event that your boiler breaks down between years two and five after installation, 5 Year Boilerguard will protect you from the repair costs that you would have to pay. 5 Year Boilerguard has been devised by Bluefin Insurance Services who have over 40 years experience in heating insurance, the scheme is underwritten by Aviva Insurance Limited. One single payment of £181.42 provides three years cover following expiration of the two year manufacturer's warranty. Payment must be sent within six months of installation of the boiler.

**Terms & Conditions apply. Please contact office for full details and application form.

Warranty Details / Terms & Conditions

Oil Boilers

Firebird provides a 5 year warranty on the boiler shell and a 2 year warranty on all other parts from date of installation, provided installation has occurred within 12 months from date of purchase, subject to the terms below.

Solar Hot Water Systems

Firebird provides a 5 year warranty on the solar collectors and a 2 year warranty on all other parts from date of installation, provided installation has occurred within 12 months from date of purchase, subject to the terms below.

Warranty Terms & Conditions

Warranty implies that the product shall be free from defective parts or workmanship. Firebird will repair or replace, free of charge, goods or any part of such goods which are defective due to defective materials or workmanship, only provided that:

- Installation and commissioning of the product was in accordance with the Firebird installation manual and all relevant standards and codes of practice.
- Installation and commissioning was carried out by a competent qualified person using the correct installation and test equipment.
- A copy of the commissioning record was returned to Firebird within 30 days of the installation.
- Maintenance was carried out at the intervals stated in the installation manual.
- All claims under the warranty programme are within the above stated time limits.

- Firebird is satisfied that the defect in the goods is not due to wear and tear, accident, misuse, improper operation or neglect. Firebird will not accept any liability in respect of any defect occurring on the product due to lime-scale build-up and or low return water temperature.
- The goods have not been altered or used to carry loads or for any purpose other than those for which the goods are suitable as shown in the Firebird's literature.
- Firebird shall not be responsible for any delay in repairing or replacing defective parts, nor for any consequential loss sustained by the purchaser by reason of such defects, not for any damage of the goods while in transit or from the purchaser's premises or while in the possession of Firebird.
- The warranty programme extends to reasonable costs EXCEPT in the case of a 5 year warranty period whereby any valid claim made after 3 years will not include labour costs.
- Firebird's prior authorisation must be obtained before examination or repair of the product takes place.
- Firebird will examine all claims made under the warranty programme and for any claims that are deemed invalid, the costs incurred will be borne by the owner.
- Any defective part removed under any or all of the warranty programmes MUST be returned to Firebird.

A full set of the Terms and Conditions are available on request and can be found on our website: www.firebird.uk.com

Enviromax Condensing Boilers

Product Code	Product Description	Retail Price*
INDOOR KITCHEN		
CKI018DLX	Enviromax Kitchen 12-18kW	£1,843.00
CKI020DLX	Enviromax Kitchen C20	£1,946.00
CKI026DLX	Enviromax Kitchen C26	£2,128.00
CKI035DLX	Enviromax Kitchen C35	£2,675.00
CKI044DLX	Enviromax Kitchen C44	£3,080.00
CKI058DLX	Enviromax Kitchen C58	£3,287.00
CKI073DLX	Enviromax Kitchen C73	£3,497.00
CUT100NKT	Enviromax Commercial Utility C100	£4,807.00
INDOOR SYSTEM		
CSB020DLX	Enviromax System C20	£2,337.00
CSB026DLX	Enviromax System C26	£2,412.00
CSB035DLX	Enviromax System C35	£3,015.00
CSB044DLX	Enviromax System C44	£3,411.00
INDOOR COMBI		
CCO020DLX	Enviromax Combi C20	£3,333.00
CCO026DLX	Enviromax Combi C26	£3,401.00
CCO035DLX	Enviromax Combi C35	£3,806.00
INDOOR COMBI SLIMLINE		
CCO020SLM	Enviromax Combi Slimline C20	£3,287.00
CCO026SLM	Enviromax Combi Slimline C26	£3,359.00
CCO035SLM	Enviromax Combi Slimline C35	£3,742.00
OUTDOOR HEATPAC SLIMLINE		
CON020SLM	Enviromax Heatpac Slimline C20	£2,375.00
CON026SLM	Enviromax Heatpac Slimline C26	£2,416.00
CON035SLM	Enviromax Heatpac Slimline C35	£3,000.00
OUTDOOR HEATPAC STD		
CON018HPK	Enviromax Heatpac 12-18kW	£2,203.00
CON020HPK	Enviromax Heatpac C20	£2,447.00
CON026HPK	Enviromax Heatpac C26	£2,574.00
CON035HPK	Enviromax Heatpac C35	£3,195.00
CON044HPK	Enviromax Heatpac C44	£3,686.00
CON058HPK	Enviromax Heatpac C58	£3,927.00
CON073HPK	Enviromax Heatpac C73	£4,287.00
OUTDOOR SYSTEMPAC-SLIMLINE		
CSP020SLM	Enviromax Systempac Slimline C20	£2,813.00
CSP026SLM	Enviromax Systempac Slimline C26	£2,925.00
CSP035SLM	Enviromax Systempac Slimline C35	£3,590.00
OUTDOOR SYSTEMPAC		
CSP020NKT	Enviromax Systempac C20	£2,813.00
CSP026NKT	Enviromax Systempac C26	£2,925.00
CSP035NKT	Enviromax Systempac C35	£3,590.00
CSP044NKT	Enviromax Systempac C44	£3,913.00
OUTDOOR COMBI-PAC		
CCP020000	Enviromax Combi-Pac C20	£3,514.00
CCP026000	Enviromax Combi-Pac C26	£3,629.00
CCP035000	Enviromax Combi-Pac C35	£4,065.00
BOILERHOUSE POPULAR		
CP0018RDB	Enviromax Popular 12-18kW	£1,738.00
CP0020RDB	Enviromax Popular, C20	£1,806.00
CP0026RDB	Enviromax Popular, C26	£1,875.00
CP0035RDB	Enviromax Popular, C35	£2,380.00
CP0044RDB	Enviromax Popular, C44	£2,940.00
CP0058RDB	Enviromax Popular, C58	£3,157.00
CP0073RDB	Enviromax Popular, C73	£3,426.00
CP0100RDB	Enviromax Popular, C100	£4,584.00
ACCESSORIES		
ACCENVMPMP	Condensate Pump Kit	£69.00
ACC000SCT	Combi Single Channel Timer (Slimline Only)	£67.00
ACC000ETM	Combi Twin Channel Timer	£76.00
ACC000CTR	Cascade Controller	£862.00



EnviromaxTM Kitchen (Internal)



EnviromaxTM Combi Slimline (Internal)



EnviromaxTM Heat-Pac (External)



EnviromaxTM Slimline Heat-Pac (External)



EnviromaxTM Popular (Boilerhouse)



*Prices exclude VAT

EnviroLite Silver Condensing Boilers



EnviroLiteTM (Internal)



EnviroLiteTM Silver-Pac (External)



EnviroLiteTM (Boilerhouse)



Product Code	Product Description	Retail Price*
INDOOR UTILITY		
CUT020NFT	EnviroLite Silver Utility CR20	£1,833.00
CUT026NFT	EnviroLite Silver Utility CR26	£1,945.00
CUT035NFT	EnviroLite Silver Utility Cr35	£2,248.00
OUTDOOR HEATPAC		
FSP020HPK	EnviroLite Silverpac CR20	£2,097.00
FSP026HPK	EnviroLite Silverpac CR26	£2,159.00
FSP035HPK	EnviroLite Silverpac CR35	£2,633.00

Product Code	Product Description	Retail Price*
BOILERHOUSE		
FSB020RDB	EnviroLite Silver Boilerhouse CR20	£1,594.00
FSB026RDB	EnviroLite Silver Boilerhouse CR26	£1,664.00
FSB035RDB	EnviroLite Silver Boilerhouse CR35	£2,003.00

Flue Kits For Condensing Boilers

Plastic - Flues for Enviromax Condensing Boilers Only

Product Code	Product Description	Retail Price*
20-35KW PLAS-FIT PLASTIC FLUE KITS & ACCESSORIES (125mm)		
CPF005KIT	PLAS-FIT Low-level Balanced Flue Kit (1 metre)	£218.00
CPF005VHL	PLAS-FIT Vertical Balance Flue Kit (3 metre)	£368.00
CPF005HHL	PLAS-FIT High Level Flue Kit (1.075 metre)	£302.00
CPF005EXA	PLAS-FIT 1000mm Extension	£80.00
CPF005EXB	PLAS-FIT 500mm Extension	£64.00
CPF455ELB	PLAS-FIT 45° Elbow (pair)	£53.00
CPF905ELB	PLAS-FIT 90° Elbow	£68.00
CPF005WBK	PLAS-FIT Wall Bracket	£8.00
20-35KW PLAS-FIT PLUME DISPERSAL KIT & ACCESSORIES (80mm)		
PDK005CPF	PLAS-FIT Plume Management Kit (2 metre)	£195.00
PDK005PXA	PLAS-FIT Plume 1000mm Extension	£27.00
PDK045PBD	PLAS-FIT Plume 45° Elbow	£15.00
PDK090PBD	PLAS-FIT Plume 90° Elbow	£16.00
PDK005PWB	PLAS-FIT Plume Wall Bracket	£7.00



PDK005CPF



CPF005KIT



CPF005HHL



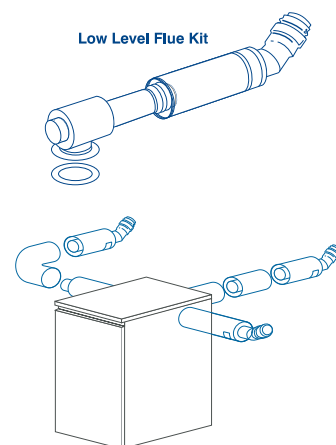
CPF005VHL

* Prices exclude VAT

Low Level Flue Kits

Stainless Steel - Flues for Enviromax & Silver Range Condensing Boilers

Product Code	Product Description	Retail Price*
20-35KW	LOW LEVEL FLUE KITS & ACCESSORIES (125mm)	
CBF005KIT	Low level flue kit 380-600mm Inc Stainless Steel Guard	£218.00
CBF005SKT	Low level flue kit 200-280mm (Short) Inc Stainless Steel Guard	£206.00
CBF005EXT	450mm Adjustable Extension (330-450mm)	£80.00
PDK125KIT	600mm Plume Dispersal Balanced Flue Starter Kit	£266.00
44-58KW	LOW LEVEL FLUE KITS & ACCESSORIES (150mm)	
CBF006KIT	Low level flue kit 380-600mm Inc Stainless Steel Guard	£309.00
CBF006SKT	Low level flue kit 200-280mm (Short) Inc Stainless Steel Guard	£257.00
CBF006EXT	450mm Adjustable Extension (330-450mm)	£89.00
PDK150KIT	600mm Plume Dispersal Balanced Flue Starter Kit	£368.00
73KW	LOW LEVEL FLUE KITS & ACCESSORIES (185mm)	
CBF007KIT	Low level flue kit 380-600mm Stainless Steel Guard Inc	£326.00
CBF007SKT	Low level flue kit 200-280mm (Short) inc Stainless Steel Guard	£259.00
CBF007EXT	450mm Adjustable Extension (330-450mm)	£97.00
PDK180KIT	600mm Plume Dispersal Balanced Flue Starter Kit	£403.00

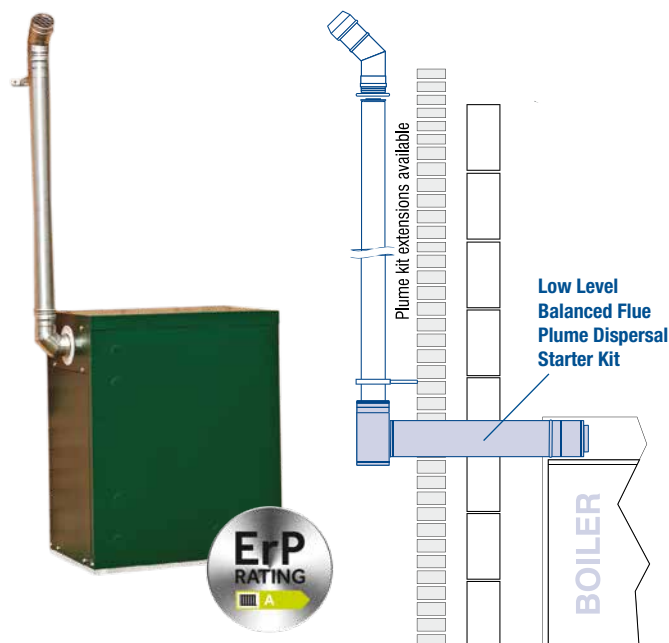


Plume Dispersal

Stainless Steel - Flues for Enviromax & Silver Range Condensing Boilers

Product Code	Product Description	Retail Price*
20-35KW	PLUME DISPERSAL KIT & ACCESSORIES (80mm)	
PDK250KIT	250mm Extension	£19.00
PDK500KIT	500mm Extension	£27.00
PDK1000KT	1000mm Extension	£51.00
PDK420KIT	305-420mm Adjustable Extension	£34.00
PDK920KIT	555-920mm Adjustable Extension	£58.00
PDK045BND	45° Elbow	£19.00
PDK090BND	90° Elbow	£22.00
PDK000HLE	Terminal Insert	£20.00
PDK000CHC	Rain cowl	£36.00
PDK000WBK	Wall bracket	£19.00
PDK080POP	Plume Flue Adaptor	£25.00
44-58KW	PLUME DISPERSAL KIT & ACCESSORIES (100mm)	
PDK256KIT	250mm Extension	£23.00
PDK506KIT	500mm Extension	£34.00
PDK1006KT	1000mm Extension	£57.00
PDK426KIT	305-420mm Adjustable Extension	£46.00
PDK926KIT	555-920mm Adjustable Extension	£66.00
PDK456BND	45° Elbow	£35.00
PDK906BND	90° Elbow	£41.00
PDK006HLE	Terminal Insert	£30.00
PDK006CHC	Rain cowl	£39.00
PDK006WBK	Wall bracket	£21.00
PDK100POP	Plume Flue Adaptor	£28.00
73KW	PLUME DISPERSAL KIT & ACCESSORIES (125mm)	
PDK257KIT	250mm Extension	£29.00
PDK507KIT	500mm Extension	£45.00
PDK1007KT	1000mm Extension	£78.00
PDK427KIT	305-420mm Adjustable Extension	£63.00
PDK927KIT	555-920mm Adjustable Extension	£88.00
PDK457BND	45° Elbow	£48.00
PDK907BND	90° Elbow	£55.00
PDK007HLE	Terminal Insert	£41.00
PDK007CHC	Rain cowl	£42.00
PDK007WBK	Wall bracket	£23.00
PDK125POP	Plume Flue Adaptor	£32.00

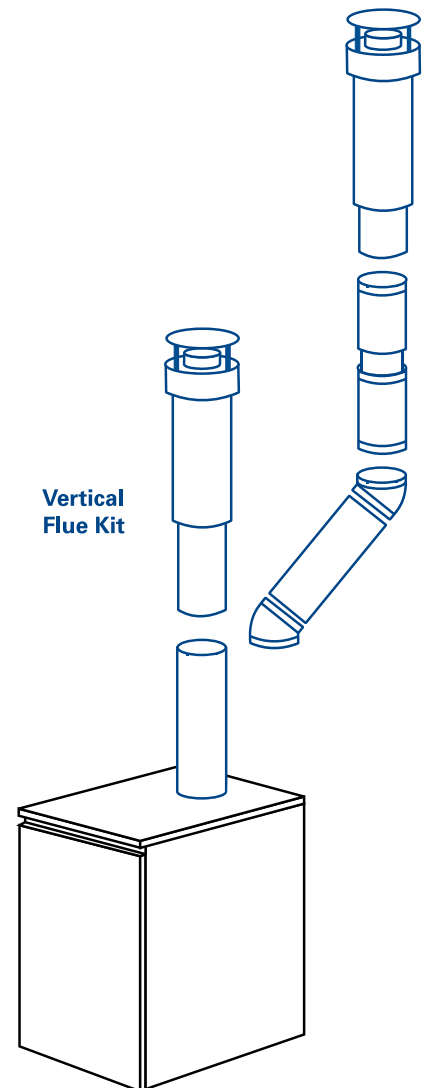
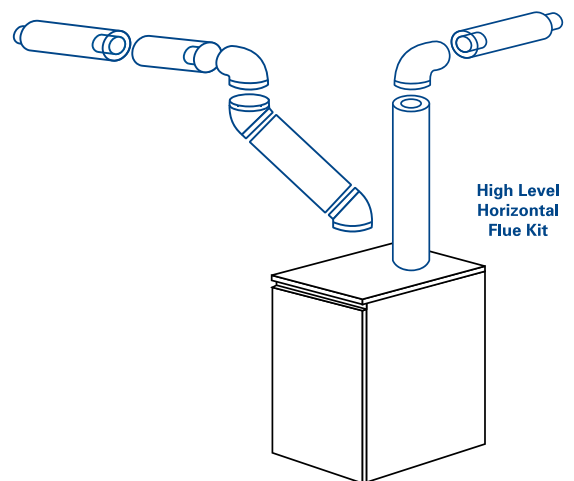
Product Code	Product Description	Retail Price*
100KW	PLUME DISPERSAL KIT & ACCESSORIES (150mm)	
PDK258KIT	250mm Extension	£38.00
PDK508KIT	500mm Extension	£58.00
PDK1008KT	1000mm Extension	£92.00
PDK428KIT	305-420mm Adjustable Extension	£80.00
PDK928KIT	555-920mm Adjustable Extension	£111.00
PDK458BND	45° Elbow	£61.00
PDK908BND	90° Elbow	£72.00
PDK008HLE	Terminal Insert	£51.00
PDK008CHC	Rain cowl	£47.00
PDK008WBK	Wall bracket	£23.00
PDK150POP	Plume Flue Adaptor	£43.00



*Prices exclude VAT

High Level & Vertical Flue Kits & Accessories

Product Code	Product Description	Retail Price*
20-35KW HIGH LEVEL / VERTICAL FLUE KITS & ACCESSORIES (125mm)		
HLE005HHL	1075mm High Level Flue Kit (White Coated Finish)	£339.00
HLE005VHL	3m Vertical Balance Flue Kit (Inc Storm Collar)	£461.00
HLE005EXC	250mm Extension	£62.00
HLE005EXB	500mm Extension	£75.00
HLE005EXA	1000mm Extension	£113.00
HLE005EXD	330mm Adjustable Extension	£75.00
HLE455ELB	45° Elbow	£68.00
HLE905ELB	90° Elbow	£74.00
COF005PFL	Pitch Flashing	£53.00
COF005FFL	Flat Flashing	£56.00
HLF005WBK	Wall Bracket	£34.00
44-58KW HIGH LEVEL & VERTICAL FLUE KITS & ACCESSORIES (150mm)		
HLF006HHL	1075mm High Level Flue Kit (White Coated Finish)	£433.00
HLF006VHL	3m Vertical Balance Flue Kit (Inc Storm Collar)	£568.00
HLF006EXC	250mm Extension	£102.00
HLF006EXB	500mm Extension	£128.00
HLF006EXA	1000mm Extension	£125.00
HLF006EXD	330mm Adjustable Extension	£104.00
HLF006EXE	555-920mm Adjustable Extension	£128.00
HLF456ELB	45° Elbow	£83.00
HLF906ELB	90° Elbow	£83.00
COF006PFL	Pitch Flashing	£139.00
COF006FFL	Flat Flashing	£63.00
HLF006WBK	Wall Bracket	£48.00
73KW HIGH LEVEL & VERTICAL FLUE KITS & ACCESSORIES (185mm)		
HLF007HHL	1075mm High Level Flue Kit (White Coated Finish)	£488.00
HLF007VHL	3m Vertical Balance Flue Kit (Inc Storm Collar)	£597.00
HLF007EXC	250mm Extension	£91.00
HLF007EXB	500mm Extension	£127.00
HLF007EXA	1000mm Extension	£168.00
HLF007EXD	305-420mm Adjustable Extension	£156.00
HLF007EXE	555-920mm Adjustable Extension	£183.00
HLF457ELB	45° Elbow	£109.00
HLF907ELB	90° Elbow	£131.00
HLF007WBK	Wall Bracket	£57.00
100KW HIGH LEVEL & VERTICAL FLUE KITS & ACCESSORIES (200mm)		
HLF008HHL	High Level Flue Kit	£849.00
HLF008VHL	Vertical Flue Kit	£881.00
HLF008EXC	250mm Extension	£91.00
HLF008EXB	500mm Extension	£124.00
HLF008EXA	1000mm Extension	£200.00
HLF908ELB	90° Elbow	£145.00
HLF458ELB	45° Elbow	£116.00
HLF008EXD	250mm Adjustable Extension	£179.00
HLF008EXE	500mm Adjustable Extension	£247.00
HLF008WBK	Wall Bracket	£64.00

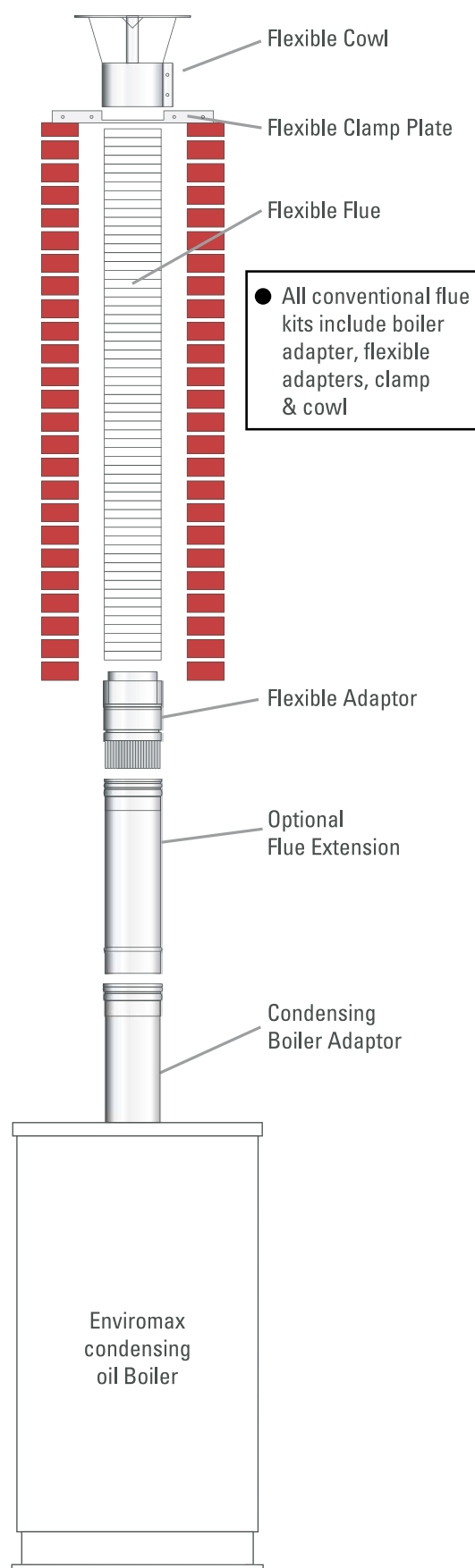


*Prices exclude VAT

Conventional Flue Kits & Accessories

Product Code	Product Description	Retail Price*																													
20-35KW CONVENTIONAL FLUE KITS** & ACCESSORIES (100mm)																															
ECF003KIT	3m Kit	£462.00																													
ECF006KIT	6m Kit	£544.00																													
ECF008KIT	8m Kit	£691.00																													
ECF010KIT	10m Kit	£778.00																													
ECF012KIT	12m Kit	£853.00																													
ECF014KIT	14m Kit	£935.00																													
ECF016KIT	16m Kit	£1,025.00																													
ECF100EXB	1000mm Extension (White)	£81.00																													
ECF100EXC	500mm Extension (White)	£61.00																													
ECF100EXD	250mm Extension (White)	£49.00																													
ECF250ADJ	305-420mm Adjustable Extension (White)	£77.00																													
ECF500ADJ	555-920mm Adjustable Extension (White)	£93.00																													
ECF045ELB	45° Elbow (White)	£46.00																													
ECF100WBK	Wall Bracket	£43.00																													
ECF100ADP	Boiler Adaptor	£79.00																													
44-58KW CONVENTIONAL FLUE KITS** & ACCESSORIES (150mm)																															
ECF606KIT	6m Kit	£618.00																													
ECF608KIT	8m Kit	£721.00																													
ECF610KIT	10m Kit	£824.00																													
ECF612KIT	12m Kit	£929.00																													
ECF614KIT	14m Kit	£1,032.00																													
ECF616KIT	16m Kit	£1,134.00																													
ECF150EXB	1000mm Extension (White)	£116.00																													
ECF150EXC	500mm Extension (White)	£70.00																													
ECF150EXD	250mm Extension (White)	£70.00																													
ECF256ADJ	305-420mm Adjustable Extension (White)	£107.00																													
ECF506ADJ	555-920mm Adjustable Extension (White)	£133.00																													
ECF456ELB	45° Elbow (White)	£71.00																													
ECF150WBK	Wall Bracket	£44.00																													
ECF150ADP	Boiler Adaptor	£106.00																													
73/100KW CONVENTIONAL FLUE KITS** & ACCESSORIES (180mm)																															
ECF706KIT	6m Kit	£716.00																													
ECF708KIT	8m Kit	£838.00																													
ECF710KIT	10m Kit	£962.00																													
ECF712KIT	12m Kit </tr <tr> <td>ECF714KIT</td> <td>14m Kit</td> <td>£1,205.00</td> </tr> <tr> <td>ECF716KIT</td> <td>16m Kit</td> <td>£1,328.00</td> </tr> <tr> <td>ECF180EXB</td> <td>1000mm Extension (White)</td> <td>£132.00</td> </tr> <tr> <td>ECF180EXC</td> <td>500mm Extension (White)</td> <td>£82.00</td> </tr> <tr> <td>ECF180EXD</td> <td>250mm Extension (White)</td> <td>£82.00</td> </tr> <tr> <td>ECF257ADJ</td> <td>305-420mm Adjustable Extension (White)</td> <td>£132.00</td> </tr> <tr> <td>ECF507ADJ</td> <td>555-920mm Adjustable Extension (White)</td> <td>£150.00</td> </tr> <tr> <td>ECF457ELB</td> <td>45° Elbow (White)</td> <td>£71.00</td> </tr> <tr> <td>ECF180WBK</td> <td>Wall Bracket</td> <td>£85.00</td> </tr> <tr> <td>ECF180ADP</td> <td>Boiler Adaptor</td> <td>£120.00</td> </tr>	ECF714KIT	14m Kit	£1,205.00	ECF716KIT	16m Kit	£1,328.00	ECF180EXB	1000mm Extension (White)	£132.00	ECF180EXC	500mm Extension (White)	£82.00	ECF180EXD	250mm Extension (White)	£82.00	ECF257ADJ	305-420mm Adjustable Extension (White)	£132.00	ECF507ADJ	555-920mm Adjustable Extension (White)	£150.00	ECF457ELB	45° Elbow (White)	£71.00	ECF180WBK	Wall Bracket	£85.00	ECF180ADP	Boiler Adaptor	£120.00
ECF714KIT	14m Kit	£1,205.00																													
ECF716KIT	16m Kit	£1,328.00																													
ECF180EXB	1000mm Extension (White)	£132.00																													
ECF180EXC	500mm Extension (White)	£82.00																													
ECF180EXD	250mm Extension (White)	£82.00																													
ECF257ADJ	305-420mm Adjustable Extension (White)	£132.00																													
ECF507ADJ	555-920mm Adjustable Extension (White)	£150.00																													
ECF457ELB	45° Elbow (White)	£71.00																													
ECF180WBK	Wall Bracket	£85.00																													
ECF180ADP	Boiler Adaptor	£120.00																													

** Kits include: boiler adaptor, flexible adaptor, clamp and cowl.



*Prices exclude VAT

Technical Specification

	Combi Boilers		Sealed System Boilers			Heat Only Boilers					
Heat Output kW	12-20+20-26	26-35	12-20+20-26	26-35	35-44	12-18	12-20+20-26	26-35	35-44+44-58	58-73	80-100
Max. BTU/h ('000)	50-90	90-120	50-90	90-120	120-150	40-60	50-90	90-120	120-200	200-250	270-340
CONNECTIONS	-	-	-	-	-	-	-	-	-	-	-
Heating Flow	22 mm	28 mm	22 mm	28mm	1 " BSP	1" BSP	1" BSP	1" BSP	1 " BSP	1 " BSP	2" BSP
Heating Return	22 mm	28 mm	1" BSP	1" BSP	1 " BSP	1" BSP	1" BSP	1" BSP	1 " BSP	1 " BSP	2" BSP
Mains Cold Feed (Copper)	15 mm	15 mm	15 mm	15 mm	15 mm	-	-	-	-	-	-
Hot Water Delivery (Copper)	15 mm	15 mm	-	-	-	-	-	-	-	-	-
Drain Off Valve	" BSP	" BSP	" BSP	" BSP	" BSP	" BSP	" BSP	" BSP	" BSP	" BSP	" BSP
Safety Pressure Valve Outlet (Copper)	15 mm	15mm	15 mm	15 mm	15 mm	-	-	-	-	-	-
Condensate Trap	22 mm PLASTIC		22 mm PLASTIC			-	-	-	-	-	-
CIRCULATING PUMP	25/60	25/60	25/60	25/60	25/80	-	-	-	-	-	-
Domestic Hot Water Plate Heat Exchanger	25 plate	31 plate	-	-	-	-	-	-	-	-	-
Integral Expansion Vessel Normal Capacity	12 litres	12 litres	12 litres	12 litres	18 litres	-	-	-	-	-	-
Expansion Vessel Pre-charge Pressure	1 bar	1 bar	1 bar	1 bar	1 bar	-	-	-	-	-	-
Low Pressure Water Switch?	✓	✓	✓	✓	✓	✗	✗	✗	✗	✗	✗
Filling Loop Included?	✓	✓	✓	✓	✓	✗	✗	✗	✗	✗	✗
WATER CONTENT	-	-	-	-	-	-	-	-	-	-	-
Boiler (Litres)	24	24	24	24	45	24	24	24	43.5	54	75
Primary Tank Combi/Combipac (Litres)	40	40	-	-	-	-	-	-	-	-	-
Slimline Combi (Litres)	11	11									
D.H.W. GUIDE PERFORMANCE**	-	-	-	-	-	-	-	-	-	-	-
in litres/min (120 litre draw-off at 40°C t.)	16	20	-	-	-	-	-	-	-	-	-
Combi/Combipac	16/18	20	-	-	-	-	-	-	-	-	-
Slimline Combi	12/14	16	-	-	-	-	-	-	-	-	-
FLUE (INDOOR BOILERS)	-	-	-	-	-	-	-	-	-	-	-
Balanced Flue Assembly (mm)	125 (5")	125 (5")	125 (5")	125 (5")	150 (6")	125 (5")	125 (5")	125 (5")	150 (6")	180 (7")	200 (8")
Conventional Flue Assembly (mm)	100 id.	100 id.	100 id.	100 id.	150 id.	100 id.	100 id.	100 id.	150 id.	180 id.	180 id.
Max. Low Level Flue Length (metres)	3	3	3	3	3	3	3	3	3	3	3
Max. High Level Flue Length (metres)	6	6	6	6	4	6	6	6	4	4	4
Max. Vertical Level Flue Length (metres)	6	6	6	6	4	6	6	6	4	4	4
Integral Flues On Heatpac Models	-	-	-	-	-	-	-	-	-	-	-
HEATING SYSTEM (SEALED)	Fit in accordance with BS 7074 Part 1, BS 5449, OFTEC standards and all other relevant legislation.										
Max. Operating Pressure	2.5 bar		2.5 bar			-					
Max. System Pressure Cold	1.5 bar		1.5 bar			-					
Min. System Pressure Cold	0.5 bar		0.5 bar			-					
Preset Pressure Relief Valve	3 bar		3 bar			3 bar					
MAINS WATER SUPPLY PRESSURE	Min. 1 bar - Max. 10 bar (for user comfort, we recommend pressure at tap to be between 2 and 5 bar). Limescale excess: When over 150/200 ppm, fit appropriate scale reducer.										
WATER SIDE RESISTANCE	Flow Rate To Give A Nominal Output At 10K Differential					20kW		26kW		35kW	
	Flow Rate Measured (Kg h-1)					1642		2135		2874	
	Waterside Resistance (mbar)					0.18		0.18		0.18	
	Flow Rate To Give A Nominal Output At 20K Differential					20kW		26kW		35kW	
	Flow Rate Measured (Kg h-1)					870		1131		1523	
	Waterside Resistance (mbar)					0.19		0.19		0.19	
PRESSURE JET OIL BURNERS	RIELLO RDB 2.2 up to C44 & RIELLO RDB 4.2 from C58 to C100										
FUEL	C2 Kerosene										
Electrical Supply	230V AC 50Hz 5A										
FROST THERMOSTATS	BOILER SAFETY LIMIT, FROST AND OVER-RUN THERMOSTATS FITTED ON ALL HEATPAC MODELS										
Frost Stat Fitted To All Outdoor Models											
Boiler Central Heating Control	60°C - 80°C		60°C - 80°C			60°C - 80°C					
Boiler Safety Limit	110°C		110°C			110°C					
Tank (DHW) - Fixed	78°C										
Early Alert - Fixed	87°C										
Over-run - Fixed	93°C		87°C			87°C (Heatpac, Slimline Heatpac & Kitchen only)					

**Where water demand exceeds this, a flow restrictor is recommended. This will ensure a water supply at an adequate temperature.

Standard Efficiency Flues

Prices available upon request



Solar Hot Water Heating Systems

Product Code	Product Description	Retail Price*
SOLAR KITS - VACUUM TUBE ON-ROOF[†]		
SOL960VKT	Vacuum Tube Kit - 1 tube sets for Pitched roof	£2,512.00
SOL961VKT	Vacuum Tube Kit - 2 tube sets for Pitched roof	£3,710.00
SOL962VKT	Vacuum Tube Kit - 3 tube sets for Pitched roof	£5,015.00
SOL963VKT	Vacuum Tube Kit - 1 tube sets for Flat roof	£2,618.00
SOL964VKT	Vacuum Tube Kit - 2 tube sets for Flat roof	£3,816.00
SOL965VKT	Vacuum Tube Kit - 3 tube sets for Flat roof	£5,228.00
SOLAR KITS - FLAT PLATE ON-ROOF[†]		
SOL950FKT	Flat Panel Kit - 1 Panel for Pitched roof	£1,733.11
SOL951FKT	Flat Panel Kit - 2 Panels for Pitched roof	£2,164.00
SOL952FKT	Flat Panel Kit - 3 Panels for Pitched roof	£2,797.00
SOL953FKT	Flat Panel Kit - 1 Panel for Flat roof	£1,783.00
SOL954FKT	Flat Panel Kit - 2 Panels for Flat roof	£2,215.00
SOL955FKT	Flat Panel Kit - 3 Panels for Flat roof	£2,847.00
SOLAR KITS - FLAT PLATE IN-ROOF[†]		
SOL922TRG	Flat Panel In-roof Kit for Tiles - 2 Panels	£2,830.00
SOL923TRG	Flat Panel In-roof Kit for Tiles- 3 Panels	£3,753.00
SOL922SRG	Flat Panel In-roof Kit for Slate roof - 2 Panels	£2,922.00
SOL923SRG	Flat Panel In-roof Kit for Slate roof - 3 Panels	£3,826.00

[†]Kits include collector(s), roof mounting kit, controller, pump station, anti-scald mixing valve, air vent & isolating valve, glycol solar anti-freeze, 2 x 1m flexi pipe and fittings

TZ58-1800 Heat Pipe Kits**

Product Code	Product Description	Retail Price*
PITCHED ON - ROOF KIT**		
SOL822KIT	20 Tube Heat Pipe Kit	£1,862.50
SOL832KIT	30 Tube Heat Pipe Kit	£2,189.58
SOL842KIT	40 Tube Heat Pipe Kit	£2,816.67
SOL852KIT	50 Tube Heat Pipe Kit	£3,160.42
SOL862KIT	60 Tube Heat Pipe Kit	£3,487.50
FLAT ON - ROOF KIT**		
SOL822KIT x 1 SOL174FRK x 1	20 Tube Heat Pipe Kit	£2,185.22
SOL832KIT x 1 SOL172FRK x 1	30 Tube Heat Pipe Kit	£2,649.58
SOL842KIT x 1 SOL174FRK x 2	40 Tube Heat Pipe Kit	£3,462.11
SOL852KIT x 1 SOL174FRK x 1 SOL172FRK x 1	50 Tube Heat Pipe Kit	£3,943.14
SOL852KIT x 1 SOL174FRK x 2	60 Tube Heat Pipe Kit	£4,407.50

**Kits include solar collector, roof fixtures, expansion vessel, glycol, solar controller & pump station

Product Code	Product Description	Retail Price*
SOLAR PANELS & MOUNTING KITS		
SOL100FPC	Flat plate Solar Collector - CPK 7210N	£605.00
SOL101FMT	Mounting kit for 2xCPK flat panels - Pitched roof	£257.00
SOL103FMT	Mounting kit for 1 extra CPK flat panels - Pitched roof	£198.00
SOL102FMT	Mounting kit for 2xCPK flat panels - Flat roof	£305.00
SOL104FMT	Mounting kit for 1 extra CPK flat panels - Flat roof	£245.00
SOL512TRF	In-roof flashing for 1 extra panel (add to inroof kits where more than 3 panels are used)	£296.00
SOL150VTC	Vacuum Tube Solar Collector - CVSKC	£1,167.00
SOL151VMT	Mounting kit for 2xCVSKC tubes - Pitched roof	£121.00

Product Code	Product Description	Retail Price*
SOL153VMT	Mounting kit for 1 extra CVSKC tubes - Pitched roof	£93.00
SOL152VMT	Mounting kit for 2xCVSKC tubes - Flat roof	£214.00
SOL154VMT	Mounting kit for 1 extra CVSKC tubes - Flat roof	£186.00
SOL820VTS	TZ58-1800 - 20 Tube Heat Pipe Set	£952.08
SOL830VTS	TZ58-1800 - 30 Tube Heat Pipe Set	£1,279.17
SOL174FRK	TZ58-1800 - Flat On-roof mounting kit, 20 Tube Set	£322.72
SOL172FRK	TZ58-1800 - Flat On-roof mounting kit, 30 Tube Set	£460.00
SOL161VHP	TZ58-1800 - Heat Pipe Tubes Only (Pack of 10)	£467.00
SOL000GSB	TZ58-1800 Gable end wall mounting kit for Heat Pipe Kit	£750.00

SOLAR TANKS		
SOL215ITK	Excelstor Twin Coil Solar Tank, 215 litres Unvented	£1,347.00
SOL255ITK	Excelstor Twin Coil Solar Tank, 255 litres Unvented	£1,451.00
SOL305ITK	Excelstor Twin Coil Solar Tank, 305 litres Unvented	£1,503.00
SOL305TCT	Excelstor Triple Coil Solar Tank, 305 litres Open Vented	£2,075.00

EXPANSION & INTERMEDIATORY VESSELS		
SOL502EXP	Expansion Vessel, 24L	£33.00
SOL503EXP	Expansion Vessel, 35L	£50.00
SOL521PPK	Expansion Vessel Accessory Kit	£72.00
SOL012EXP	Intermediatory Vessel, 12 litre	£106.00

STAINLESS STEEL INSULATED TWIN PIPE		
SOL010TWP	Solar S/S insulated twin pipe, DIN16 x 10m	£348.00
SOL015TWP	Solar S/S insulated twin pipe, DIN16 x 15m	£456.00
SOL025TWP	Solar S/S insulated twin pipe, DIN16 x 25m	£758.00

FLEXI PIPES, 1M		
SOL402FPP	1m Flexi pipe	£54.00
SOL001ELB & SOL001FEM	Fittings for flat plate / vacuum tube	£20.00
SOL075ELB & SOL075TAP	Fittings for TZ58 tube	£20.00

SOLAR ANTI-FREEZE		
SOL506FFL	Tyfocon L Anti-freeze - Flat plate	£63.00

PIPE FLASHING		
SOL509TRF	Pipe flashing; for Tiled roof	£53.00
SOL510SRF	Pipe flashing; for Slate roof	£45.00
SOL511TRF	In-roof flashing for 2 extra flat panels	£648.00
SOL513SRS	Soaker Kit for slate roof installation	£106.00
SOL524VTL	Glidvale G1 Vent Tile (BBA/IAB Approved)	£68.00

OTHER SYSTEM COMPONENTS & ACCESSORIES		
SOL414CTR	Deltasol BS4 Controller & Twin Pump Station	£821.00
SOL424CTR	Deltasol BS4 Plus Controller, Twin Pump Station & Single	£1,498.00
SOL501AIR	Automatic Air Vent	£26.00
SOL504MIX	3-way mixing valve	£99.00
SOL505STP	Stop valve 3/8"	£5.00
SOL507VFL	Tyfocon LS Anti-freeze - Vacuum Tube	£71.00
SOL514FPC	Solar Weather-proof Cover -Flat Plate	£45.00
SOL515VTC	Solar Weather-proof Cover -Vacuum Tube	£45.00
SOL000FPS	ProfiCentre Filling & flushing pump station	£1,152.00
SOL527RFR	Refractometer	£164.00
SOL528CFL	Solar Cleaning Fluid, 500ml	£66.00
SOL000BOV	Blow-off Storage Vessel	£122.00
SOL010TSV	TSV Lightning Protection (for controller)	£35.00
SOL526RLY	Auxiliary Relay HR230 (for controller)	£73.00

*Prices exclude VAT













Spare Parts/Accessories

Product Code	Product Description	Retail Price*	
PLUMBING & HYDRAULIC SPARE PARTS			
ACCCOMMAC	Air Vent 1/8", Manual	£8.00	
ACCCOMAAV	Air Vent, Auto	£13.00	
ACC022VAL	Ball Valve, 22mm	£30.00	
ACC000PCV	Check Valve Nylon	£11.00	
ACC034MMC	Check Valve, 1/2" Brass male/male	£20.00	
ACC034MFC	Check Valve, 1/2" Brass male/female	£20.00	
ACC034FMC	Check Valve, 1/2" Brass female/male	£20.00	
ACC130PMP	HE Circulating pump UPS25-80 130	£168.00	
ACC180PMP	Magna Circulating Pump UPS25-80 180	£781.00	
ACC000TRP	Condensate trap	£22.00	
ACCCOMHOS	Expansion Vessel Flexible Hose	£23.00	
ACC012PVL	Expansion Vessel 12 Litre	£74.00	
ACC014PVL	Expansion Vessel 14 Litre	£95.00	
ACC018PVL	Expansion Vessel 18 Litre	£128.00	
ACC012WSH	Teflon Washer, 12.5mm x 18.5mm x 1.5mm Red (each)	£2.00	
ACC017WSH	Teflon Washer, 17mm x 24mm x 1.5mm Red (each)	£2.00	
ACC000PHW	PHE Washer Set	£4.00	
ACCCOMDCV	Non Return Double Check Valve, 15mm	£27.00	
ACC015FCV	Filling Loop Check Valve	£22.00	

Product Code	Product Description	Retail Price*	
ACC000FLH	Filling Loop Hose 400mm	£16.00	
ACCCOMFSW	Flowswitch, Sika VKX15MIFIREB03	£70.00	
ACCBRSFSW	Mark 1 Flow Switch	£76.00	
ACC025PHE	Plate Heat Exchanger - 25	£156.00	
ACC031PHE	Plate Heat Exchanger - 31	£189.00	
ACCCOMPRG	Pressure Gauge, Combi/ System	£28.00	
ACCCOMSRV	Pressure Release Valve	£28.00	
ACC022PIV	Pump Isolating Valve, 22mm	£21.00	
ACC022PNR	Pump isolating valve, 22mm c/w non return check valve	£26.00	
ACCCOMTMV	Thermostatic Mixing Valve, Combi 15mm	£84.00	
ELECTRICAL SPARE PARTS			
ACC000ETM	Combi Twin Timer Kit - Electronic	£76.00	
ACC000PSW	Pressure Switch	£48.00	
ACC000RLY	Relay 230 Vac	£23.00	
ACC000BAS	Relay Base 11 pin	£17.00	
ACC000CLK	Time Clock (Single)	£65.00	
ACC000PCB	PCB Board, Combi	£183.00	
ACC000ECG	PCB, Non Combi	£126.00	
ACC000RTP	Flow Thermistor for Combi PCB (Red)	£12.00	
ACC000WTP	Boiler Thermistor for Combi/ Kitchen PCB (White w/ black collar)	£16.00	

* Prices exclude VAT

Spare Parts (cont..)

Product Code	Product Description	Retail Price*	
ACC000WTP	Tank Thermistor for Combi PCB (White)	£16.00	
THERMOSTATS			
ACC000STA	Control Stat (540588 50/80 deg Cap)	£13.00	
ACC000THR	Dual Thermostat D5 Heatpac	£60.00	
ACC000DST	Dual Thermostat P5 Popular	£65.00	
ACC000EAS	Early Alert Stat / Overrun Stat (Stat B 541462 87 Deg Cap)	£28.00	
ACC000FST	Frost Stat TLM 2557	£38.00	
ACC000LMT	High Limit Stat (541696 90/110 deg Cap)	£37.00	
ACC000SQL	High Limit Stat, Super Q (AAM)	£63.00	
ACC000OHS	Overheat stat (542562)	£38.00	
ACC000RTS	Relay Tank Stat, Combi (Stat C 78 Deg Cap)	£36.00	
ACCCOMPKT	Stat Pocket 000949 4 pocket	£11.00	
ACC003PKT	Stat Pocket DIA 15 x16 (555012) 3 pocket	£11.00	

Product Code	Product Description	Retail Price*
MISCELLANEOUS PARTS		
N/A	Baffles, Enviromax Condensing Tube (set)	£81.00
N/A	Baffles, Enviromax Smoke 120mm wide (each)	£22.00
N/A	Baffles, Enviromax Smoke 308mm wide (each)	£22.00
ACC090GSK	Combustion Door Insulation 50/70/90	£22.00
ACC120GSK	Combustion Door Insulation 120	£22.00
ACC150GSK	Combustion Door Insulation 150	£22.00
ACC200GSK	Combustion Door Insulation 200	£22.00
ACC250GSK	Combustion Door Insulation 250	£22.00
ACC310GSK	Combustion Door Insulation 310	£22.00
ACC035GSK	Combustion Door Insulation C20/C26/C35	£22.00
ACC044GSK	Combustion Door Insulation C44/C58	£22.00
ACC073GSK	Combustion Door Insulation C73	£22.00
ACC100GSK	Combustion Door Insulation C100	£22.00
ACC035GRA	Graphite Board C20/C26/C35	£22.00
ACC044GRA	Graphite Board C44/C58	£22.00
ACC073GRA	Graphite Board C73	£22.00
ACC100GRA	Graphite Board C100	£22.00
ACC000KEY	Heatpac Key	£8.00
ACC000LCK	Heatpac Lock	£13.00

Product Code	Product Description	Retail Price*
RIELLO BURNER PARTS		
BRN070DGT	Digital burner RDB, 20kW (Firebird boiler only)	£407.00
BRN090DGT	Digital burner RDB, 26kW (Firebird boiler only)	£417.00
BRN120DGT	Digital burner RDB, 35kW (Firebird boiler only)	£428.00
BRN070RB2	Burner RDB, 20kW	£407.00
BRN090RB2	Burner RDB, 26kW	£417.00
BRN120RB2	Burner RDB, 35kW	£428.00
BRN150RB3	Burner RDB, 44kW	£507.00
BRN200RB4	Burner RDB, 58kW	£518.00
BRN250RB4	Burner RDB, 73kW	£528.00
BRN090G5X	Analogue burner G5X 90k	£417.00
ZE20087025	Capacitor	£12.00
ZE20071576	Capacitor RDB 2.2, 4.5 uF	£13.00
ZE20087035	Capacitor RDB 2.2, 4.0 Uf	£13.00
ZE20081251	Capacitor RDB 3.2/4.2	£17.00
ZE3006001	Combustion Head	£28.00
ZE3003602	Connector 3/8 X 1/4	£3.00
ZE3001156	Control Box 530 Se	£96.00
ZE3008652	Control Box RDB - Analogue	£111.00
ZE20035388	Control Box RDB - Digital (Firebird boiler only)	£166.00
ZE3007589	5 Pin Male Lead	£17.00
ZE20036083	5 Pin Female Plugin	£65.00
ZE3000443	Drive Coupling Nylon (10 Pcs)	£5.00
ZE3007513	Electrode Assembly RDB	£14.00
ZE3005721	Electrode Group - Short head	£15.00
ZE3008860	Electrode Group (Rbs133) RDB	£20.00
ZE3008653	Filter & O-Ring	£4.00
ZE3005787	Flange Gasket G3B/G5/G10	£4.00
ZE3008512	Flange Gasket RDB	£9.00
ZE3005720	Flexible Oil Line RDB	£13.00
ZE3006384	Front Piece (RDB Flange)	£12.00
ZE3007814	Fuel Line Tube (10 Pcs)	£6.00
ZE20031996	Fuel Pump G3B/G5/G10	£105.00
ZE20030953	Fuel Pump RDB	£107.00
ZE3008794	High Voltage Leads RDB	£9.00
ZE3006911	Hydraulic Ram Short	£26.00
ACC000JUB	Jubilee Clip, Snorkel Hose	£3.00
ZE3005708	Mectron Fan Wheel	£19.00
ZE3007971	Mectron Motor	£107.00
ZE3002836	Motor RDB 2.2	£107.00
ZE3008964	Motor RDB 3.2/4.2	£150.00
ZE3007162	O-Ring, Fuel Pump Mtm.3-5 (10 Pcs)	£4.00
ZE3002280	Photocell G3B/G5/G10	£8.00
ZE3008646	Photocell RDB	£21.00
ZE3005723	Pipe Mtm 3	£7.00
ZE3008878	Seal Kit RDB	£8.00
ACC000SSH	Small Snorkel Hose	£6.00
ZE3002279	Solenoid Coil G3B/G5/G10	£15.00
ZE3008648	Solenoid Coil RDB	£20.00
ZE3002507	Blast Tube, T1 RDB	£25.00
ZE3002447	Blast Tube, T3 RDB	£30.00
ZE3006001	Blast Tube, LD3, G3B/G5/G10	£28.00

Accessories

Product Code	Product Description	Retail Price*
ACCESSORIES		
ACC000PHX	Phoenix Condensate Freeze Protection Kit	£77.00
ACC000CTR	Cascade Controller	£862.00
ACCENVMPM	Condensate Pump Kit	£69.00

* Prices exclude VAT



This catalogue was correct at the time of going to print. However, Firebird's policy is one of continuous development. The right is reserved to change specifications, colour and prices of the models and items illustrated in this publication at any time. Whilst every care has been exercised in the production of this publication, Firebird cannot accept any liability for errors or omissions. For the latest details always contact Firebird. Print Date August 2016. All prices are subject to VAT @ 20%

Contact

+44 (0) 1752 691177
+44 (0) 1752 691131
sales@firebird.uk.com

Phoenix House, Eastern Wood Road,
Language Industrial Estate,
Plympton, Plymouth PL7 5ET